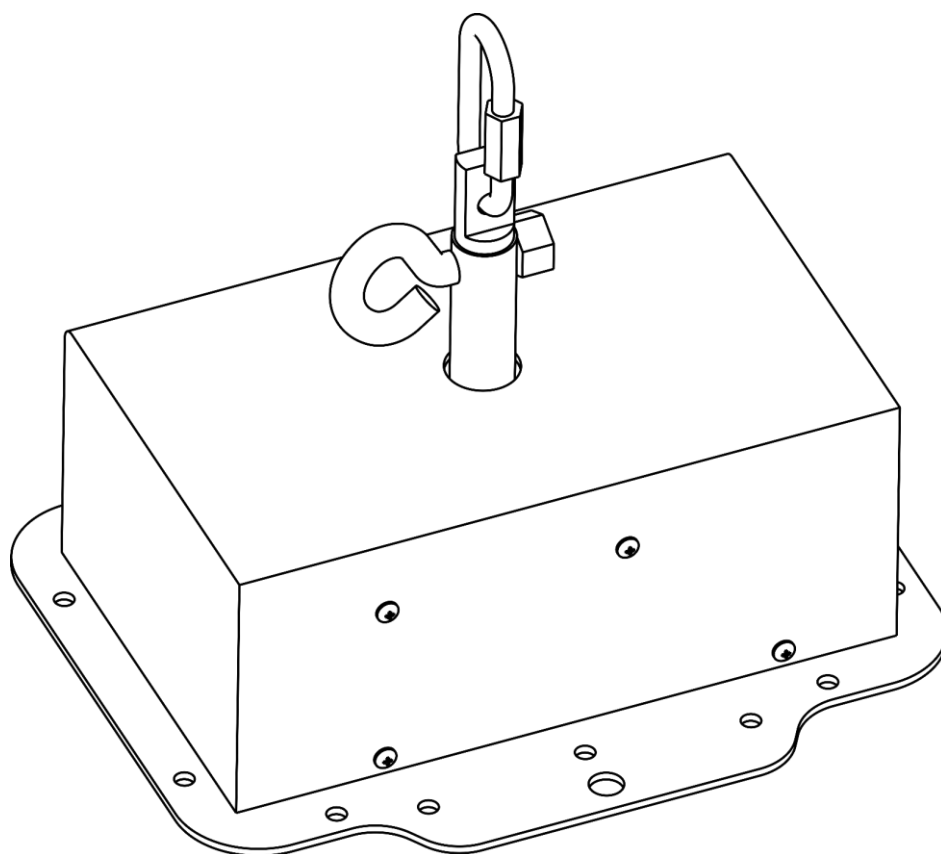




MANUAL



ENGLISH

Mirrorball Motor up to 100 cm V1

Ordercode: 60416

Table of contents

Warning2
Safety Instructions2
Operating Determinations4
Rigging4
Connection with the mains.....5
Return Procedure5
Claims.....5

Description of the device.....6
Overview6

Installation.....7
Installing the Mirrorball Motor7

Setup and Operation8
Power On8

Maintenance8

Troubleshooting8

Product Specifications.....9

Warning



**For your own safety, please read this user manual carefully
before your initial start-up!**

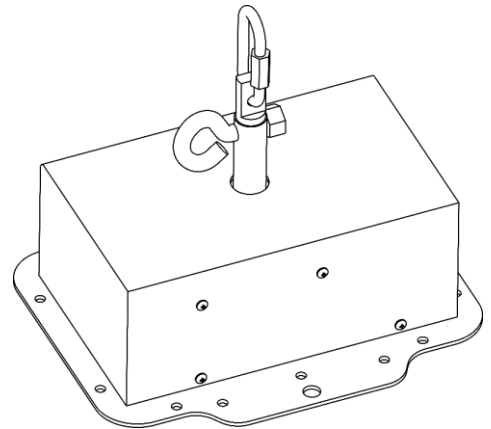


Unpacking Instructions

Immediately upon receiving this product, carefully unpack the carton and check the contents to ensure that all parts are present, and have been received in good condition. Notify the dealer immediately and retain packing material for inspection if any parts appear damaged from shipping or the carton itself shows signs of mishandling. Save the carton and all packing materials. In the event that a fixture must be returned to the factory, it is important that the fixture be returned in the original factory box and packing.

Your shipment includes:

- Showtec Mirrorball Motor 100 cm with a power cable (0,8 m)
- User manual



CAUTION!

**Keep this device away from rain and moisture!
Unplug mains lead before opening the housing!**



Safety Instructions

Every person involved with the installation, operation and maintenance of this device has to:

- be qualified
- follow the instructions of this manual



**CAUTION! Be careful with your operations.
With a dangerous voltage you can suffer
a dangerous electric shock when touching the wires!**



Before the initial start-up, please make sure that there is no damage caused by transportation. Should there be any, consult your dealer and do not use the device.

To maintain perfect condition and to ensure a safe operation, it is absolutely necessary for the user to follow the safety instructions and warning notes contained in this manual.

Please consider that damages caused by manual modifications to the device are not subject to warranty.

This device contains no user-serviceable parts. Refer servicing to qualified technicians only.

IMPORTANT:

The manufacturer will not accept liability for any resulting damages caused by the non-observance of this manual or any unauthorized modification to the device.

- Never let the power cord come into contact with other cables! Handle the power cord and all connections with the mains with particular caution!
- Never remove warning or informative labels from the unit.
- Do not open the device and do not modify the device.
- Do not connect this device to a dimmer pack.
- Do not shake the device. Avoid brute force when installing or operating the device.
- Never leave any cables lying around.
- Never use the device during thunderstorms, unplug the device immediately.
- Do not touch the device's housing bare-handed during its operation (housing becomes hot).
- Only use device indoors, avoid contact with water or other liquids.
- Avoid flames and do not put close to flammable liquids or gases.
- Only operate the device after having familiarized with its functions.
- Always keep case closed while operating.
- Always allow free air space of at least 50 cm around the unit for ventilation.
- Always disconnect power from the mains, when device is not used or before cleaning! Only handle the power cord by the plug. Never pull out the plug by tugging the power cord.
- Make sure that the device is not exposed to extreme heat, moisture or dust.
- Make sure that the available voltage is not higher than stated on the rear panel.
- Make sure that the power cord is never crimped or damaged. Check the device and the power cord from time to time.
- Make sure that the rotation of the mirror ball is not interrupted in any way by decoration parts, etc.
- Make sure that the mirror ball cannot start swinging due to air streams, etc. The mirror ball and the motor should be hung and operated absolutely vibration-free.
- Regularly examine whether the keyring and the chain have any deformations. If they do, immediately detach the mirror ball.
- The length of the chain (with the mirror ball) may never exceed 100 cm.
- If the external cable is damaged, it has to be replaced by a qualified technician.
- If device is dropped or struck, disconnect mains power supply immediately. Have a qualified engineer inspect for safety before operating.
- If the device has been exposed to drastic temperature fluctuation (e.g. after transportation), do not switch it on immediately. The arising condensation water might damage your device. Leave the device switched off until it has reached room temperature.
- If your Showtec device fails to work properly, discontinue use immediately. Pack the unit securely (preferably in the original packing material), and return it to your Showtec dealer for service.
- For adult use only. The mirror ball must be installed out of the reach of children. Never leave the unit running unattended.
- The user is responsible for correct positioning and operating of the Mirrorball Motor. The manufacturer will not accept liability for damages caused by the misuse or incorrect installation of the device.
- This device falls under protection class I. Therefore it is essential to connect the yellow/green conductor to earth.
- Repairs, servicing and electric connection must be carried out by a qualified technician.
- WARRANTY: Till one year after date of purchase.

Operating Determinations

- This device is not designed for permanent operation. Consistent operation breaks will ensure that the device will serve you for a long time without defects.
- The maximum ambient temperature $t_a = 25\text{ °C}$ must never be exceeded.
- The relative humidity must not exceed 50 % with an ambient temperature of 25 °C.
- In order to eliminate wear and improve the device's lifespan, during periods of non-use, completely disconnect from power source via breaker or by unplugging.
- If this device is operated in any other way than the one described in this manual, the product may suffer damages and the warranty becomes void.
- Any other operation may lead to dangers like short-circuit, burns, electric shock, crash, etc.

You endanger your own safety and the safety of others

Rigging

Please follow the European and national guidelines concerning rigging, trussing and all other safety issues.

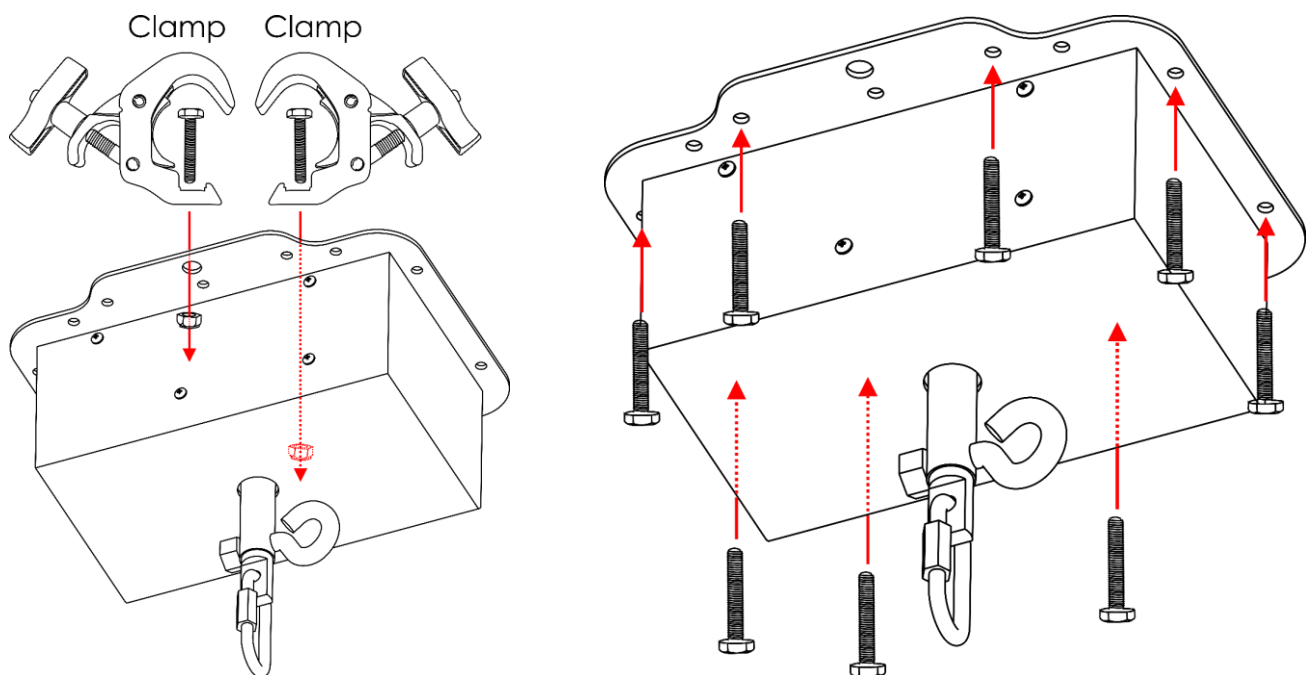
Do not attempt the installation yourself !

Always let the installation be carried out by an authorized dealer !

Procedure:

- If the mirror ball or motor is lowered from the ceiling or high joists, professional trussing systems have to be used.
- The motor must never be fixed swinging freely in the room.
- The installation must always be secured with a safety attachment, e.g. an appropriate safety net or a safety cable.
- Make sure that the installation area can hold a minimum point load of 10 times the device's load (e.g. maximum load: 3 kg = point load: 30 kg).
- When rigging, derigging or servicing the device, always make sure, that the area below the installation place is blocked and staying in the area is forbidden.


Improper installation can cause serious injuries and/or damage of property!



The Mirrorball Motor can be mounted to any kind of truss with clamps or to a ceiling with bolts.

Connection with the mains

Connect the device to the mains with the power-plug.
Always check if the right color cable is connected to the right place.

International	EU Cable	UK Cable	US Cable	Pin
L	BROWN	RED	YELLOW/COPPER	PHASE
N	BLUE	BLACK	SILVER	NEUTRAL
	YELLOW/GREEN	GREEN	GREEN	PROTECTIVE GROUND

Make sure that the device is always properly connected to the earth!

Improper installation can cause serious injuries and/or damage of property!



Return Procedure

Returned merchandise must be sent prepaid and in the original packing, call tags will not be issued. Package must be clearly labeled with a Return Authorization Number (RMA number). Products returned without an RMA number will be refused. Highlite will not accept the returned goods or any responsibility. Call Highlite 0031-455667723 or mail offersales@highlite.com and request an RMA prior to shipping the fixture. Be prepared to provide the model number, serial number and a brief description of the cause of the return. Be sure to properly pack fixture as any shipping damage resulting from inadequate packaging is the customer's responsibility. Highlite reserves the right to use its own discretion to repair or replace product(s). As a suggestion, proper UPS packing or double-boxing is always a safe method to use.

Note: If you are given an RMA number, please include the following information on a piece of paper inside the box:

- 01) Your name
- 02) Your address
- 03) Your phone number
- 04) A brief description of the symptoms

Claims

The client has the obligation to check the delivered goods immediately upon delivery for any shortcomings and/or visible defects, or perform this check after our announcement that the goods are at their disposal. Damage incurred in shipping is the responsibility of the shipper; therefore the damage must be reported to the carrier upon receipt of merchandise.

It is the customer's responsibility to report and submit claims with the shipper in the event that a fixture is damaged due to shipping. Transportation damage has to be reported to us within one day after receipt of the delivery.

Any return shipment has to be made post-paid at all times. Return shipments must be accompanied with a letter defining the reason for return shipment. Non-prepaid return shipments will be refused, unless agreed otherwise in writing.

Complaints against us must be prepared in writing or sent by fax within 10 working days after receipt of the invoice. After this period complaints will not be handled anymore.

Complaints will only then be considered if the client has so far complied with all parts of the agreement, regardless of the agreement from which the obligation is resulting.

Description of the device

Features

The Showtec Mirrorball Motor up to 100 cm is a mirror ball control system.

- Input voltage: 240 V AC, 50 Hz
- Power consumption: 4 W
- Max. rotation speed: 1 RPM
- Mirror ball max. size: 100 cm/40 kg
- Housing: Steel
- Dimensions: 286 x 237 x 240 mm (LxWxH)
- Weight: 5,7 kg

Optional accessories

- [60404](#) – Mirrorball 20 cm
- [60405](#) – Mirrorball 30 cm
- [60406](#) – Mirrorball 40 cm
- [60407](#) – Mirrorball 50 cm
- [60409](#) – Mirrorball 75 cm
- [60410](#) – Mirrorball 100 cm

- [60412](#) – Mirrorball 5 cm
- [60413](#) – Mirrorball 10 cm
- [60414](#) – Mirrorball 15 cm
- [60430](#) – Professional Mirrorball 30 cm
- [60431](#) – Professional Mirrorball 40 cm
- [60432](#) – Professional Mirrorball 50 cm

Overview

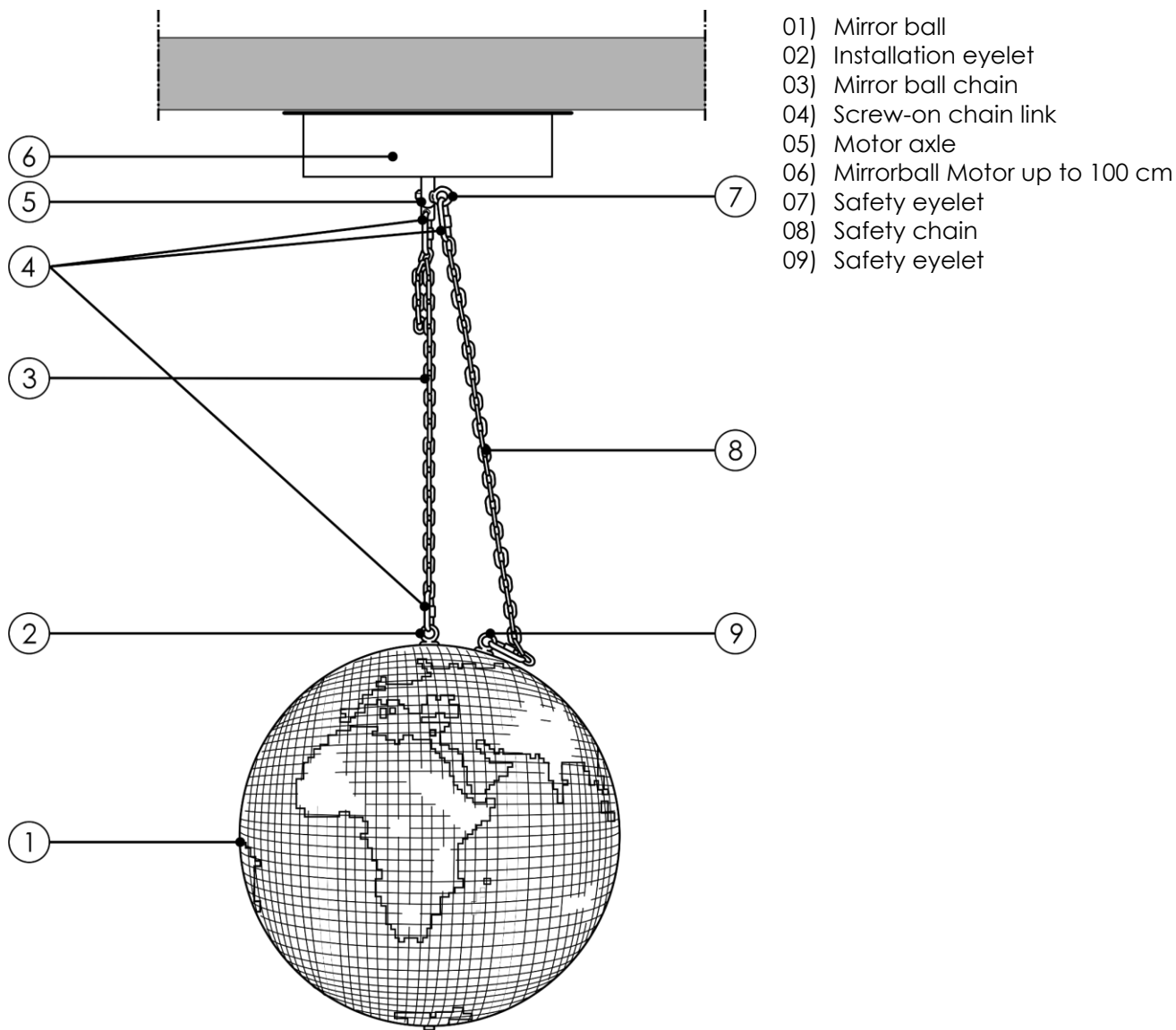


Fig. 01

Installation

Remove all packing materials from the Mirrorball Motor up to 100 cm. Check if all foam and plastic padding is removed. Connect all cables.

Do not supply power before the whole system is set up and connected properly.

Always disconnect from electric mains power supply before cleaning or servicing.

Damages caused by non-observance are not subject to warranty.

Installing the Mirrorball Motor

- Install the mirror ball chain with the screw-on chain link at the installation eyelet of the mirror ball and tighten the fixation screw.
- Insert the fourth chain link of the mirror ball chain with the mirror ball in the screw-on chain link and tighten the fixation screw.
- Always install a safety chain that can hold at least 12 times the weight of the installation. The safety chain must be slightly longer than the mirror ball chain, so that the safety chain will remain tension-free. Pull the safety chain through the safety eyelet of the mirror ball and through the safety eyelet of the motor.
- Make sure that the chain's length is not longer than 100 cm.
- Make sure that the maximum drop distance never exceeds 20 cm.
- Replace a safety chain which already held the strain of a crash or which is defective.
- Never hang a mirror ball or other load at the safety eyelet. Loads must only be hanged at the quick link of the installation eyelet, at the motor axle. If, for any reason, a mirror ball hangs at the safety eyelet, immediately take the motor out of operation and uninstall the mirror ball. Have an expert check the whole installation for defects.
- Make sure that the rotation of the mirror ball is never obstructed by decoration material etc.
- Make sure that the mirror ball cannot be affected by air streams. The mirror ball and the motor must be installed and operated absolutely swivel-free.
- Please check for safety in regular intervals. If the installation material (e. g. key ring, shackles or screw-on chain links) or chain links have been deformed, uninstall the mirror ball immediately.

The fixation holes are located on the baseplate.

- 01) Hold the baseplate onto the location where the device is to be installed.
- 02) Mark the holes with a pen or a suitable tool.
- 03) Drill the holes.
- 04) Hold the baseplate in the desired position and tighten the screws.

Setup and Operation

Follow the directions below, as they pertain to your preferred operation mode.

Before plugging the unit in, always make sure that the power supply matches the product specification voltage. Do not attempt to operate a 110 V specification product on 240 V power, or vice versa. Connect the device to the main power supply.

Power On

- 01) Plug the Schuko power cable into the appropriate power supply. The motor will start rotating. The rotation direction is random.

Maintenance

The operator has to make sure that safety-related and machine-technical installations are to be inspected by an expert after every year in the course of an acceptance test.

The operator has to make sure that safety-related and machine-technical installations are to be inspected by a skilled person once a year.

The following points have to be considered during the inspection:

- 01) All screws used for installing the device or parts of the device have to be tightly connected and must not be corroded.
- 02) There may not be any deformations on housings, fixations and installation spots.
- 03) Mechanically moving parts like axles, eyes and others may not show any traces of wearing.
- 04) The electric power supply cables must not show any damages or material fatigue.

The Mirrorball Motor up to 100 cm requires almost no maintenance. However, you should keep the unit clean.

Please clean internal components once a year with a light brush and vacuum cleaner.

Keep connections clean. Disconnect electric power, and then wipe the connections with a damp cloth. Make sure connections are thoroughly dry before supplying electric power.

Troubleshooting

This troubleshooting guide is meant to help solve simple problems.

If a problem occurs, carry out the steps below in sequence until a solution is found. Once the unit operates properly, do not carry out following steps.

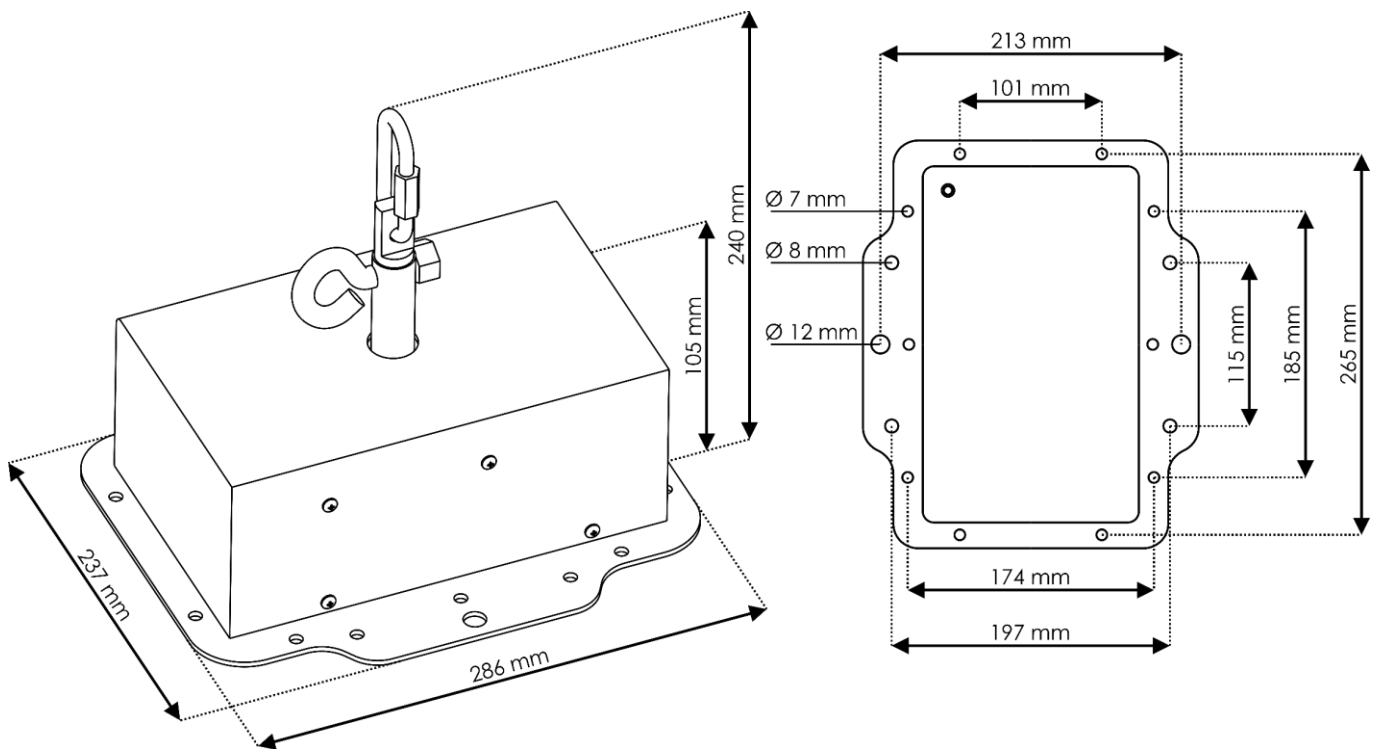
If the mirror ball control system does not operate properly, refer servicing to a technician.

Suspect two potential problem areas as: the power supply and the motor.

- 01) Power supply. Check if the unit is plugged into an appropriate power supply.
- 02) The motor. Return the device to your Showtec dealer.
- 03) If both of the above appear to be O.K., plug the unit in again.
- 04) If you are unable to determine the cause of the problem, do not open the Mirrorball Motor, as this may damage the unit and the warranty will become void.
- 05) Return the device to your Showtec dealer.

Product Specifications

Model:	Showtec Mirrorball Motor up to 100 cm
Input voltage:	240 V AC, 50 Hz
Power consumption:	4 W
Dimensions:	286 x 237 x 240 mm (LxWxH)
Weight:	5,7 kg
Electro-mechanical effects:	
Max. rotation speed:	1 RPM
Mirror ball max. size:	100 cm/40 kg
Housing:	Steel
Max. ambient temperature t_a :	25 °C
Max. housing temperature t_B :	30 °C



Design and product specifications are subject to change without prior notice.



Website: www.Showtec.info
 Email: service@highlite.com



©2020 Showtec