

Installation Instruction

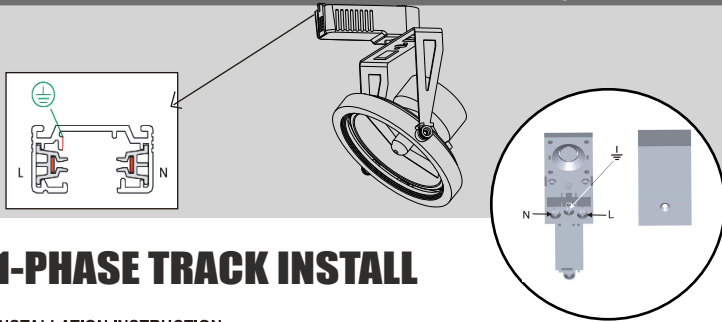
Art.

A0320041
A0320042
A0320043

ARTECTA®

THE ART OF LIGHTING

BARCELONA SERIES



1-PHASE TRACK INSTALL

INSTALLATION INSTRUCTION

CAUTION:

This unit is IP20 and only for indoor use
Only a qualified electrician can connect the wiring to the track adapter
Do not service the ballast or other voltage live components.
In case of any doubt, always contact a qualified electrician.

Before installing the fixture, make sure the power is switched OFF and follow the A, B steps as the figure for installation or replacement of the bulb

Step: A. fix the bulb in to the clips.

B. install the new bulb by connecting the wires and mount in to the plastic cover

Before installing the fixture into the track, make sure the power is switched OFF.

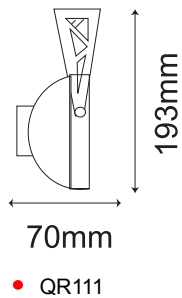
C. connect the adapter into the track.

CLEANING INSTRUCTION

1. Before cleaning, ensure that the power is switched off.
2. Fixture unit and bulb can be hot. Wait until the unit has cooled
3. Use only a soft cloth to clean the fixture, dampened with mild cleaner if needed for resistant dirt. Warning: do not use alcohol or other solvents!

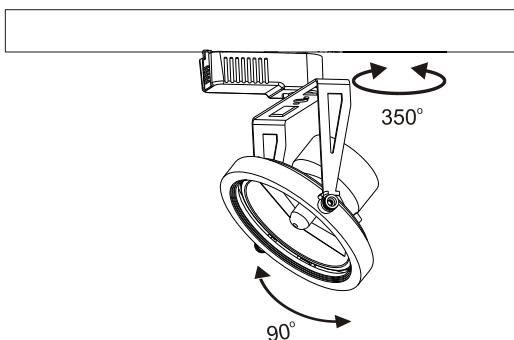
DIMENSIONS

Dimension in mm



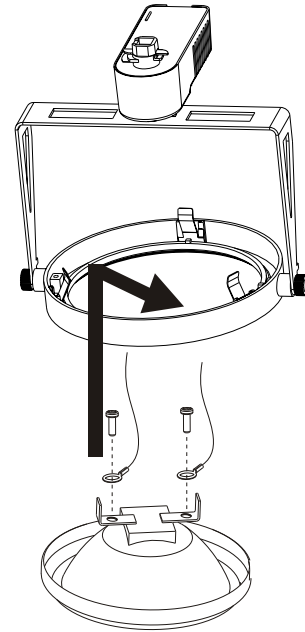
• QR111

ANGLE ADJUSTMENT



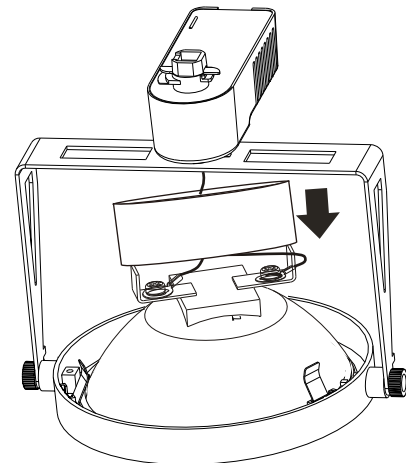
LAMP INSTALLATION

A



Bulb .
QR111 .
50W
G53

B



FIXTURE/ADAPTER MOUNTING

C

