



BARCELONA-B

1-Phase trackspot

Max. Load: Halospot 111 IRC 50W G53

Ordernr: A0320041

Housing: Aluminium

Colour: black powder-coated (RAL 9004)

Weight: 0.25 Kg

Dimensions fixture: 90 x 193 mm

Included build-in transforme 230V AC/12V AC

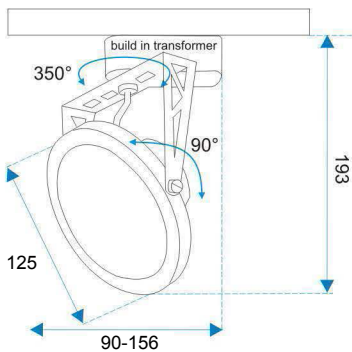
excluded lamp

Operating Power: 220V-240V AC

Classification: IP-20 Class III



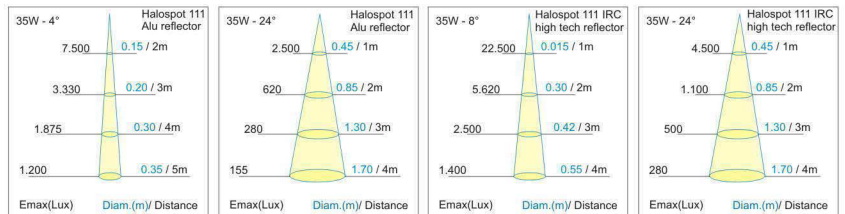
Dimensions in mm



Track-adapter with build in transformer

Available lamp-types:

35W



50W

