

## 3-Phase Surface Track 2000mm

White (RAL9003)

Ordernr: A0332002

Housing: Aluminium

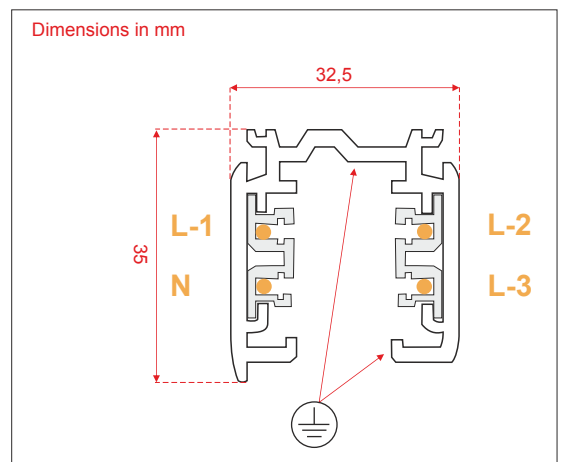
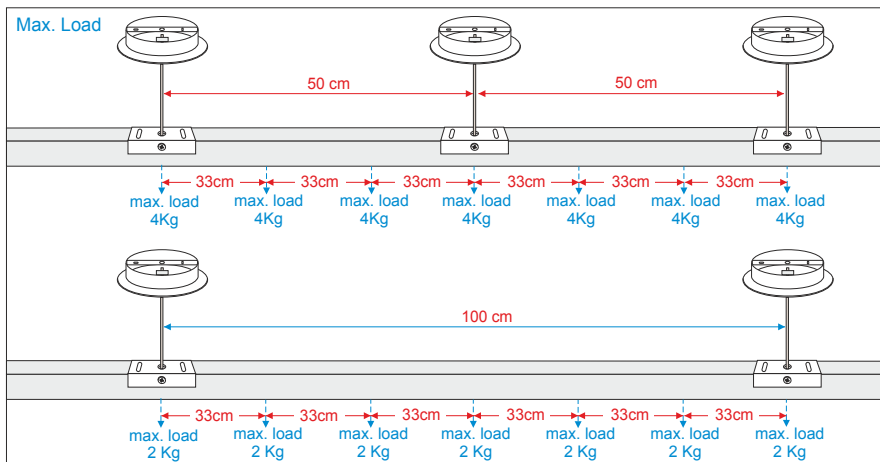
Colour: white powder-coated (RAL 9003)

Weight: 1.7 Kg

Dimensions track: 2000 x 32.5 x 35 mm

Operating Power: 220-250V AC max 16A

Classification: IP-20



### Available accessories:

<p><b>A0310002</b> Bending Tool for 3-ph. Track</p>	<p><b>A0333102</b> 3-Phase Adapter White (RAL9003) Operating Power: 220-240V AC max. 6A IP-rate: IP-20</p>	<p><b>A0333202</b> 3-Phase left feed-in connector White (RAL9003) Operating Power: 220-240V AC max. 16A IP-rate: IP-20</p>	<p><b>A0333212</b> 3-Phase right feed-in connector White (RAL9003) Operating Power: 220-240V AC max. 16A IP-rate: IP-20</p>
<p><b>A0333402</b> 3-Phase straight inner connector White (RAL9003) Operating Power: 220-240V AC max. 16A IP-rate: IP-20</p>	<p><b>A0333502</b> 3-Phase flexible corner connector White (RAL9003) Operating Power: 220-240V AC max. 16A IP-rate: IP-20</p>	<p><b>A0333702</b> 3-Phase left T-connector + power entry White (RAL9003) Oper. Power: 220-240V AC max. 16A IP-rate: IP-20</p>	<p><b>A0333712</b> 3-Phase right T-connector + power entry White (RAL9003) Operat. Power: 220-240V AC max. 16A IP-rate: IP-20</p>
<p><b>A0333302</b> 3-Phase endcap White (RAL9003) IP-20</p>	<p><b>A0333802</b> 3-Phase Ceiling kit White (RAL9003)</p>	<p><b>A0333812</b> 3-Phase Ceiling suspension kit incl. 1.5m steel wire white (RAL9003)</p>	<p><b>A0333822</b> 3-Phase Ceiling suspension kit incl. 1.5m steel wire &amp; Lead White (RAL9003)</p>