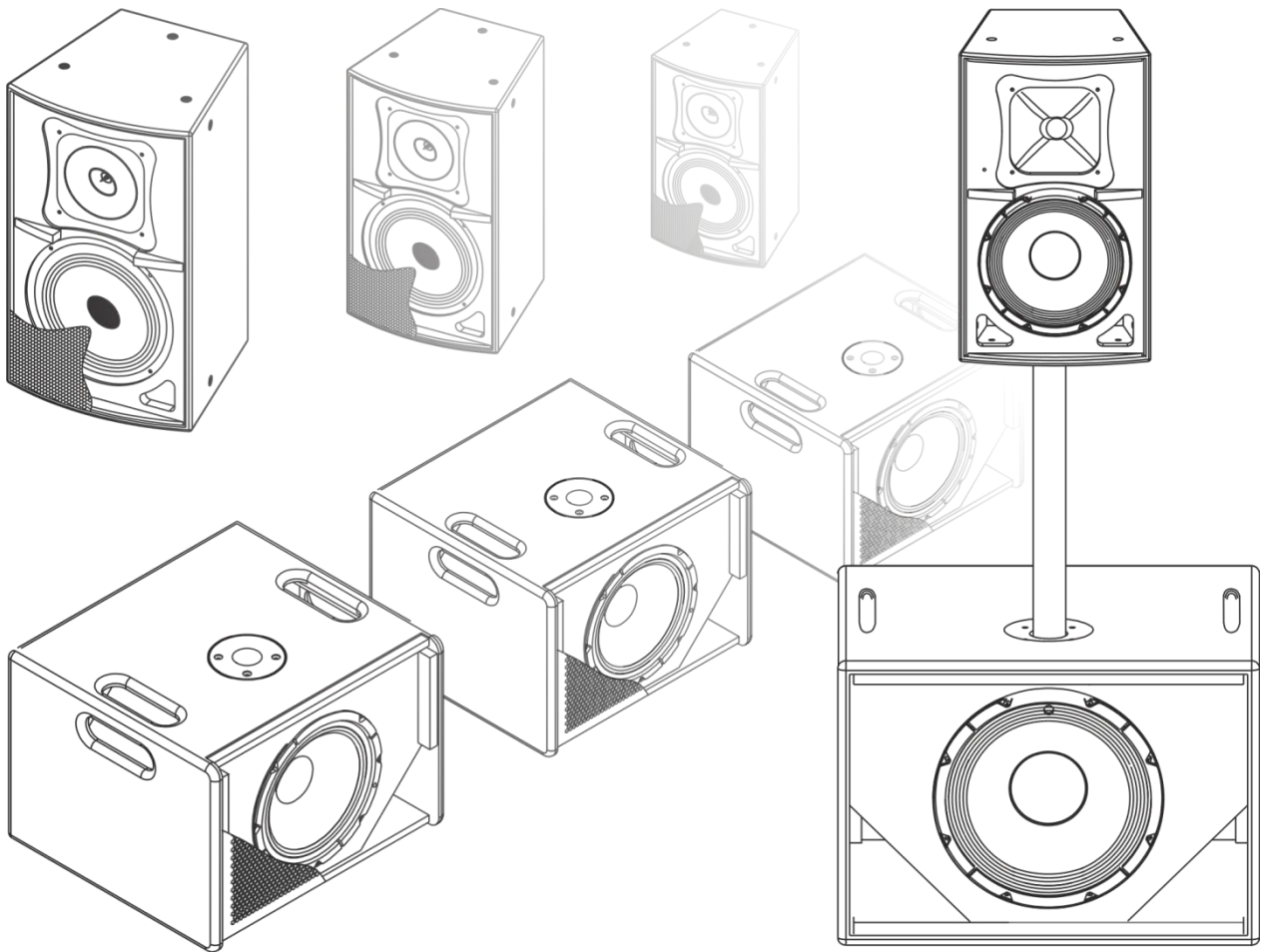




MANUAL V2



ENGLISH

DRX Passive Series

Productcode:	D3630	D3631	D3632	D3633	D3643	D3644	D3645	D3646
Productname:	DRX-8	DRX-10	DRX-12	DRX-15	DRX-10B	DRX-12B	DRX-15B	DRX-18B

Table of contents

Warning	2
Unpacking Instructions.....	2
Safety Instructions	2
Connection with the mains.....	4
Return Procedure.....	4
Claims.....	4
Features	5
Accessories	5
Rear Panel Description	6
DRX-10B/12B/15B/18B SUB.....	6
DRX-8/10/12/15.....	7
Connection Examples	8
Two Passive Subwoofers & Two Passive Satellite Speakers.....	8
One Passive Subwoofer & Two Passive Satellite Speakers.....	9
Two Passive Satellite Speakers.....	10
Frequency Response Diagram	11
DRX-10B/12B/15B/18B.....	11
DRX-8/10/12/15.....	12
Connection Cables	13
Technical Specifications	14
DRX-10B.....	14
DRX-12B.....	14
DRX-15B.....	15
DRX-18B.....	15
DRX-8	16
DRX-10	16
DRX-12	17
DRX-15	17
Troubleshooting	18

Warning



**FOR YOUR OWN SAFETY, PLEASE READ THIS USER MANUAL CAREFULLY
BEFORE YOUR INITIAL START-UP!**



Unpacking Instructions

Immediately upon receiving this product, carefully unpack the carton and check the contents to ensure that all parts are present, and have been received in good condition. Notify the dealer immediately and retain packing material for inspection if any parts appear damaged from shipping or the carton itself shows signs of mishandling. Save the carton and all packing materials. In the event that a fixture must be returned to the factory, it is important that the fixture be returned in the original factory box and packing.

Safety Instructions

Every person involved with the installation, operation and maintenance of this device have to:

- be qualified
- follow the instructions of this manual



**CAUTION! Be careful with your operations.
With a dangerous voltage you can suffer
a dangerous electric shock when touching the wires!**



Before your initial start-up, please make sure that there is no damage caused by transportation. Should there be any, consult your dealer and do not use the device.

To maintain perfect condition and to ensure a safe operation, it is absolutely necessary for the user to follow the safety instructions and warning notes written in this manual.

Please consider that damages caused by manual modifications to the device are not subject to warranty. This device contains no user-serviceable parts. Refer servicing to qualified technicians only.

IMPORTANT!

The manufacturer will not accept liability for any resulting damages caused by the non-observance of this manual or any unauthorized modification to the system.


- Avoid flames and do not put close to flammable liquids or gases.
- Before changing your grounds around, always turn your amplifiers down.
- Before switching on or off make certain the sound system's amplifiers are off or turned down: this will avoid signal peaks, which are annoying and sometimes dangerous (particularly for speaker enclosures).
- Do not drive the inputs with a signal level bigger, than required to drive the equipment to full output.
- Do not open this device.
- Extreme frequency boosts in connection with a high input signal level may lead to overdriving your equipment. Should this occur, it is necessary to reduce the input signal level by using the INPUT control.
- If device is dropped or struck, disconnect mains power supply immediately. Have a qualified engineer inspect for safety before operating.
- In system setup, the amplifier's output power must be 50%-100% more than the loaded loudspeakers rated power.
- Keep this user's manual for future consultation. Also remember that the crossover will get a better price on the secondhand market if (as well as being in good condition) it has its original documentation and packaging.
- Make sure that there is sufficient room on all sides of the system for air circulation.

- Make sure you don't use the wrong kind of cables or defective cables.
- Never remove warning or informative labels from the unit.
- Only use device indoor, avoid contact with water or other liquids.
- Please turn off the power switch, when changing the power cord or signal cable, or select the input mode switch.
- Prevent distortion! Make sure that all components connected to the DRX-series have sufficient power ratings. Otherwise distortion will be generated because the components are operated at their limits.
- Repairs, servicing and electric connection must be carried out by a qualified technician.
- The best way (even if not always feasible) to avoid ground loops is to connect the electric ground of all the equipment to a single central point ("star" system). In this case, the central point can be the mixer.
- To avoid or solve hum and buzzing troubles, try different combinations of lifting grounds on units that are supplied with ground lift switches or make sure all chassis are connected to earth ground, either through the A.C. power cord ground or by the front panel rack mount screws.
- WARRANTY: Till one year after date of purchase.
- When connecting the other parts of your sound system, watch out for the so-called "ground loops".

Connection with the mains

Connect the device to the mains with the power-plug.

Always pay attention, that the right color cable is connected to the right place.

International	EU Cable	UK Cable	US Cable	Pin
L	BROWN	RED	YELLOW/COPPER	FASE
N	BLUE	BLACK	SILVER	NUL
	YELLOW/GREEN	GREEN	GREEN	EARTH

Make sure that the device is always connected properly to the earth!

Improper installation can cause serious damage to people and property!



Return Procedure



Returned merchandise must be sent prepaid and in the original packing, call tags will not be issued. Package must be clearly labeled with a Return Authorization Number (RMA number). Products returned without an RMA number will be refused. Highlite will not accept the returned goods or any responsibility. Call Highlite 0031-455667723 or mail aftersales@highlite.nl and request an RMA prior to shipping the fixture. Be prepared to provide the model number, serial number and a brief description of the cause for the return. Be sure to properly pack fixture, any shipping damage resulting from inadequate packaging is the customer's responsibility. Highlite reserves the right to use its own discretion to repair or replace product(s). As a suggestion, proper UPS packing or double-boxing is always a safe method to use.

Note: If you are given an RMA number, please include the following information on a piece of paper inside the box:

- 1) Your name
- 2) Your address
- 3) Your phone number
- 4) A brief description of the symptoms

Claims

The client has the obligation to check the delivered goods immediately upon delivery for any shortcomings and/or visible defects, or perform this check after our announcement that the goods are at their disposal. Damage incurred in shipping is the responsibility of the shipper; therefore the damage must be reported to the carrier upon receipt of merchandise.

It is the customer's responsibility to notify and submit claims with the shipper in the event that a fixture is damaged due to shipping. Transportation damage has to be reported to us within one day after receipt of the delivery.

Any return shipment has to be made post-paid at all times. Return shipments must be accompanied with a letter defining the reason for return shipment. Non-prepaid return shipments will be refused, unless otherwise agreed in writing.

Complaints against us must be made known in writing or by fax within 10 working days after receipt of the invoice. After this period complaints will not be handled anymore.

Complaints will only then be considered if the client has so far complied with all parts of the agreement, regardless of the agreement of which the obligation is resulting.

Features

These series products include active speaker cabinets and subwoofer.

ACTIVE SPEAKERS:

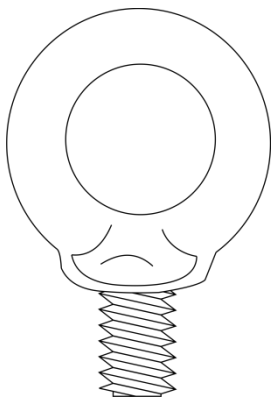
1. DRX-8
2. DRX-10
3. DRX-12
4. DRX-15

SUBWOOFER:

1. DRX-10B
2. DRX-12B
3. DRX-15B
4. DRX-18B

These products are design to provide a cost effective high grade solution, and they can be used for all kinds of applications, such as churches, conference center, disco, etc. You can select right model according to your request.

Accessories



Speaker hanging eye
Ø 8mm

Ordercode: D8435

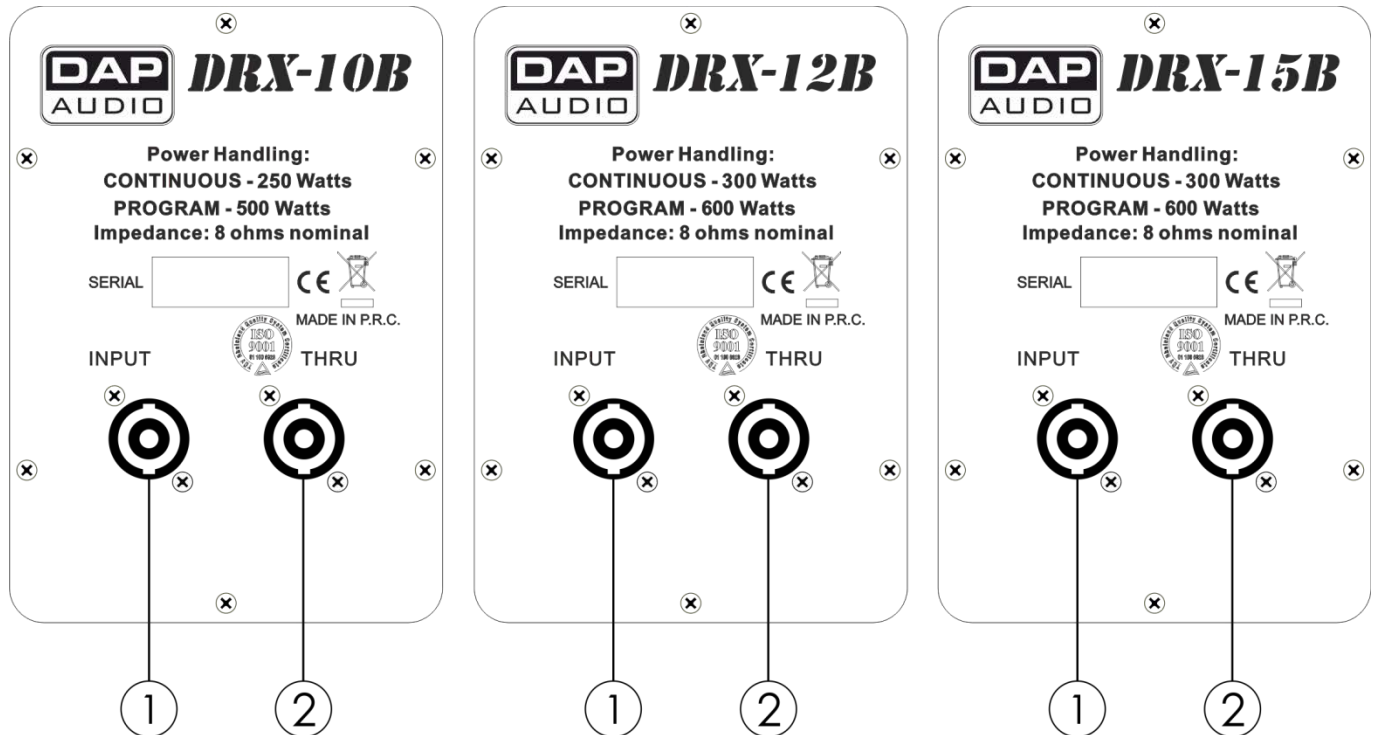


Distance stand
Ø 35mm

Ordercode: D8450

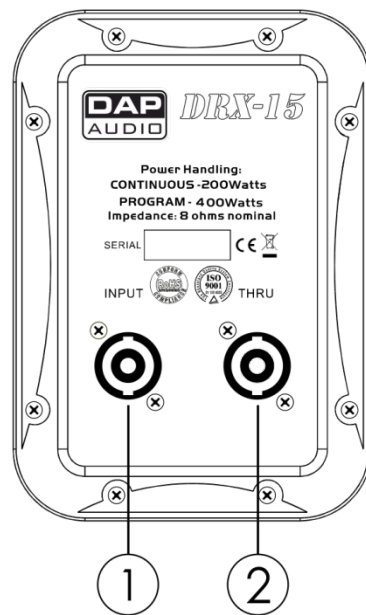
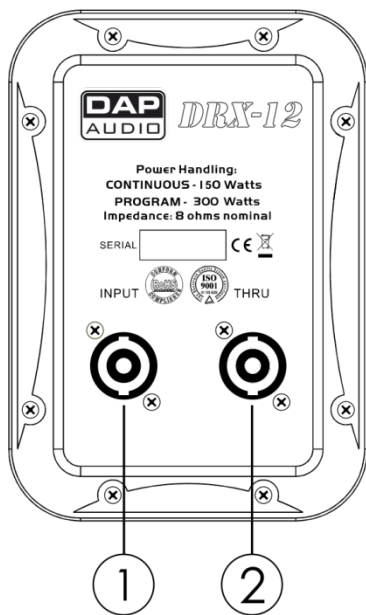
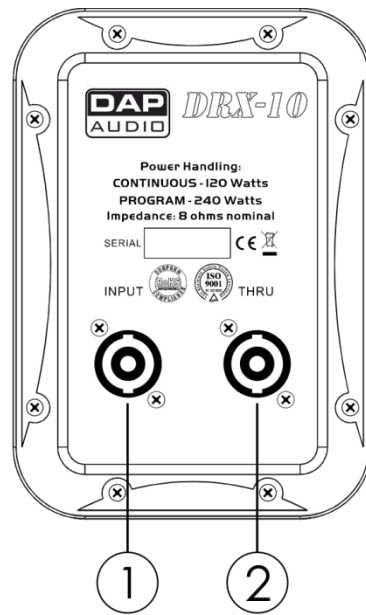
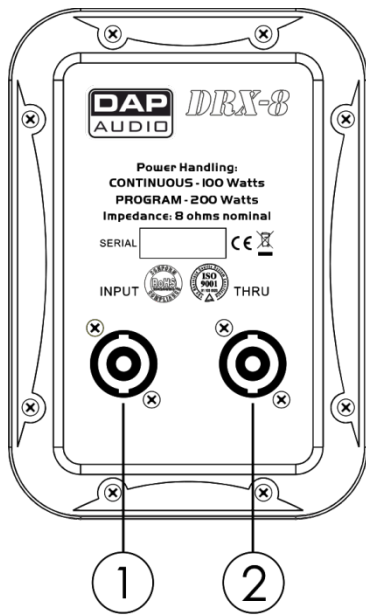
Rear Panel Description

DRX-10B/12B/15B SUB



- ① INPUT: Receive the power coming from an external power amplifier (SPK +1/-1 connected; +2 -2 not connected)
- ② THRU: Direct LINK for connecting in parallel a second speaker cabinet (SPK +1/-1 connected; +2 -2 not connected).

DRX-8/10/12/15



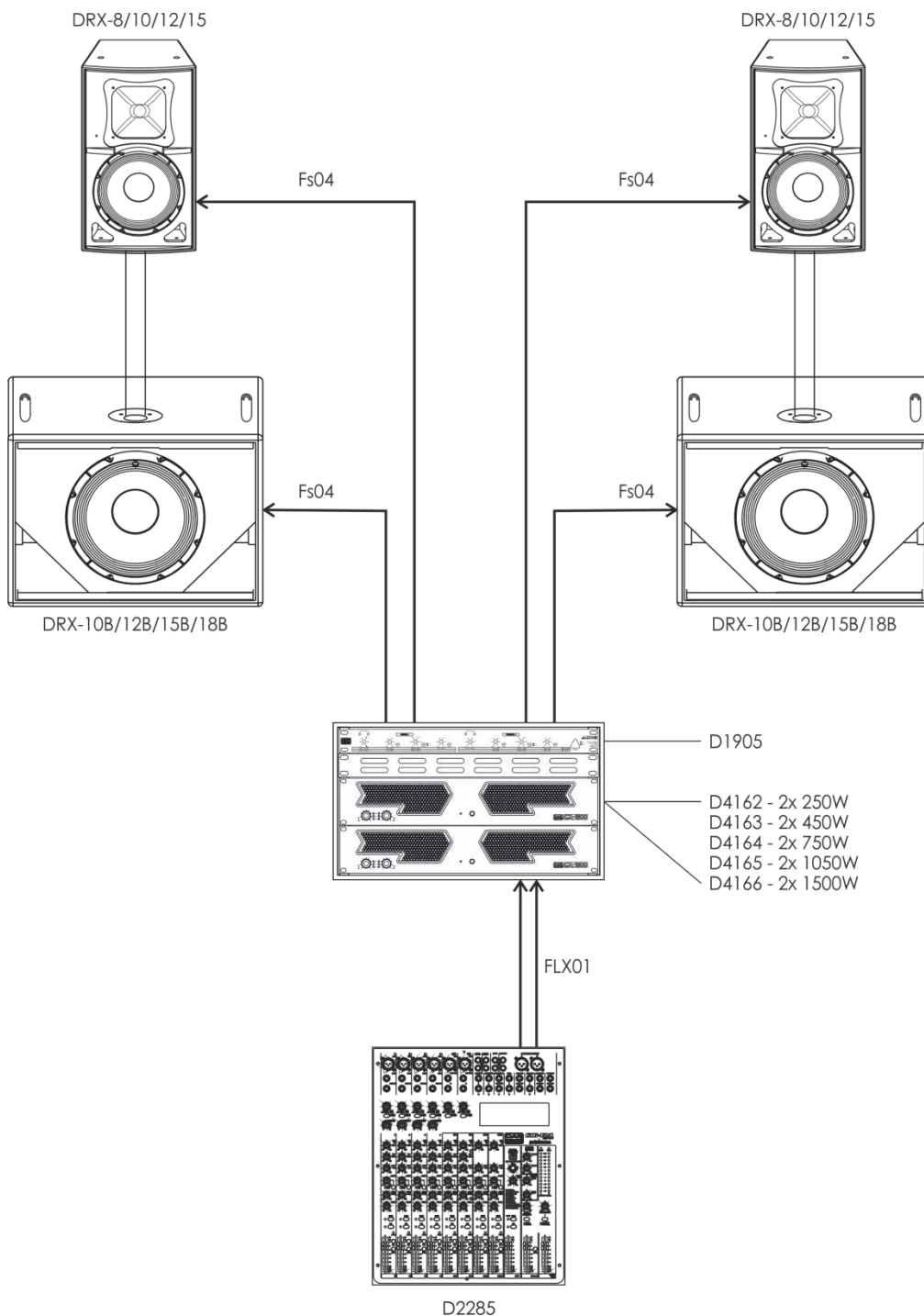
- ① INPUT: Receive the power coming from an external power amplifier (SPK +1/-1 connected; +2 -2 not connected)
- ② THRU: Direct LINK for connecting in parallel a second speaker cabinet (SPK +1/-1 connected; +2 -2 not connected).

Connection Examples

Two Passive Subwoofers & Two Passive Satellite Speakers

Make your initial connections with all the equipment powered off and ensure that all the main volume controls are turned completely down.

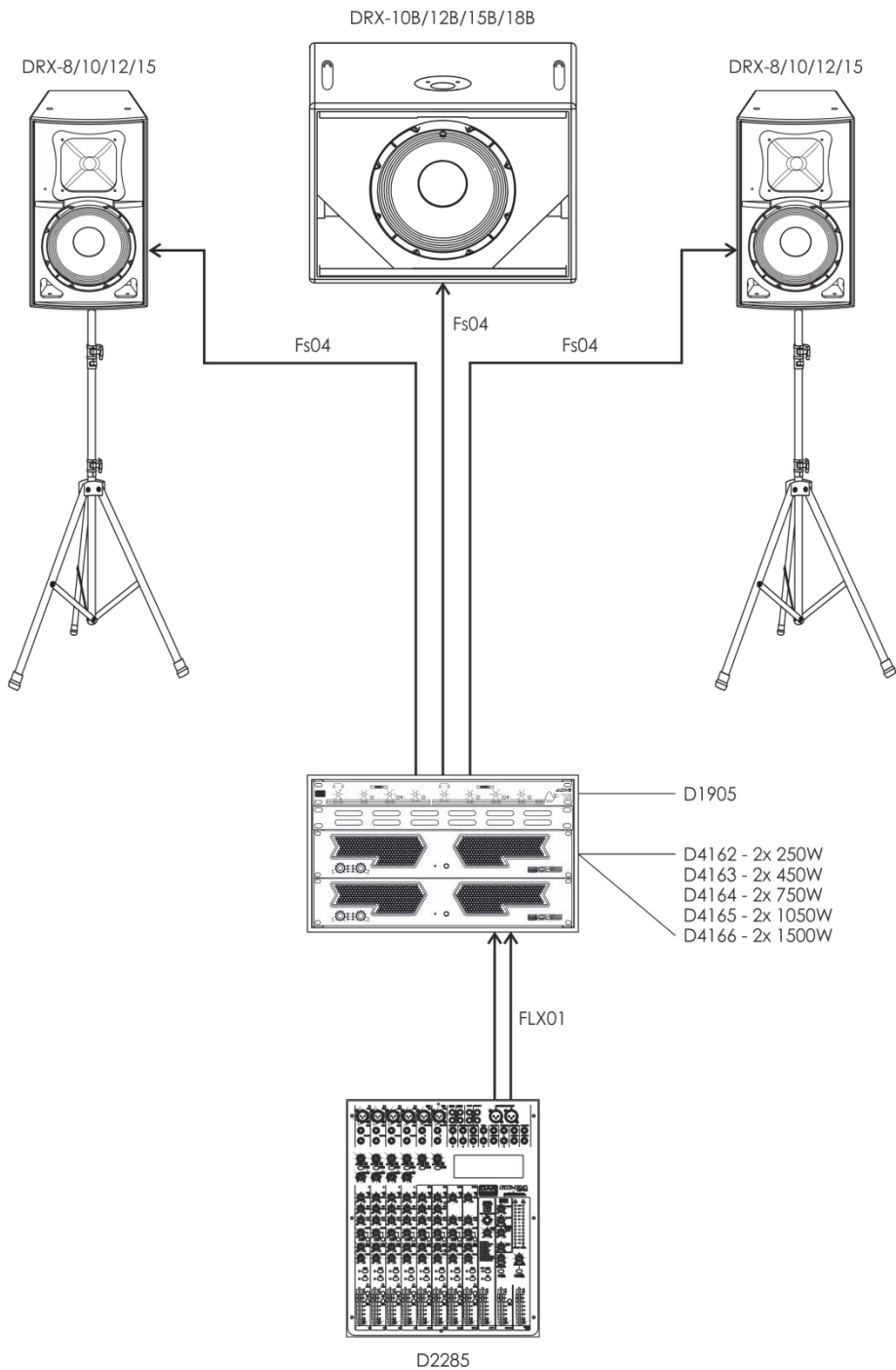
- 1) Connect one side of the speaker cable to the Output CH 1 / CH 2 to Binding Post of your stereo power amplifier and the other side to the Input socket of your speaker cabinet.
- 2) Complete other connections as illustrated.
- 3) Turn on your mixer first, then the stereo power amplifier.
- 4) Use PFL function to get the proper input level for the mixer and adjust the Main Mix Level control to manipulate the output level.
- 5) After using your equipment, turn off your stereo power amplifier first, then the mixer.



One Passive Subwoofer & Two Passive Satellite Speakers

Make your initial connections with all the equipment powered off and ensure that all the main volume controls are turned completely down.

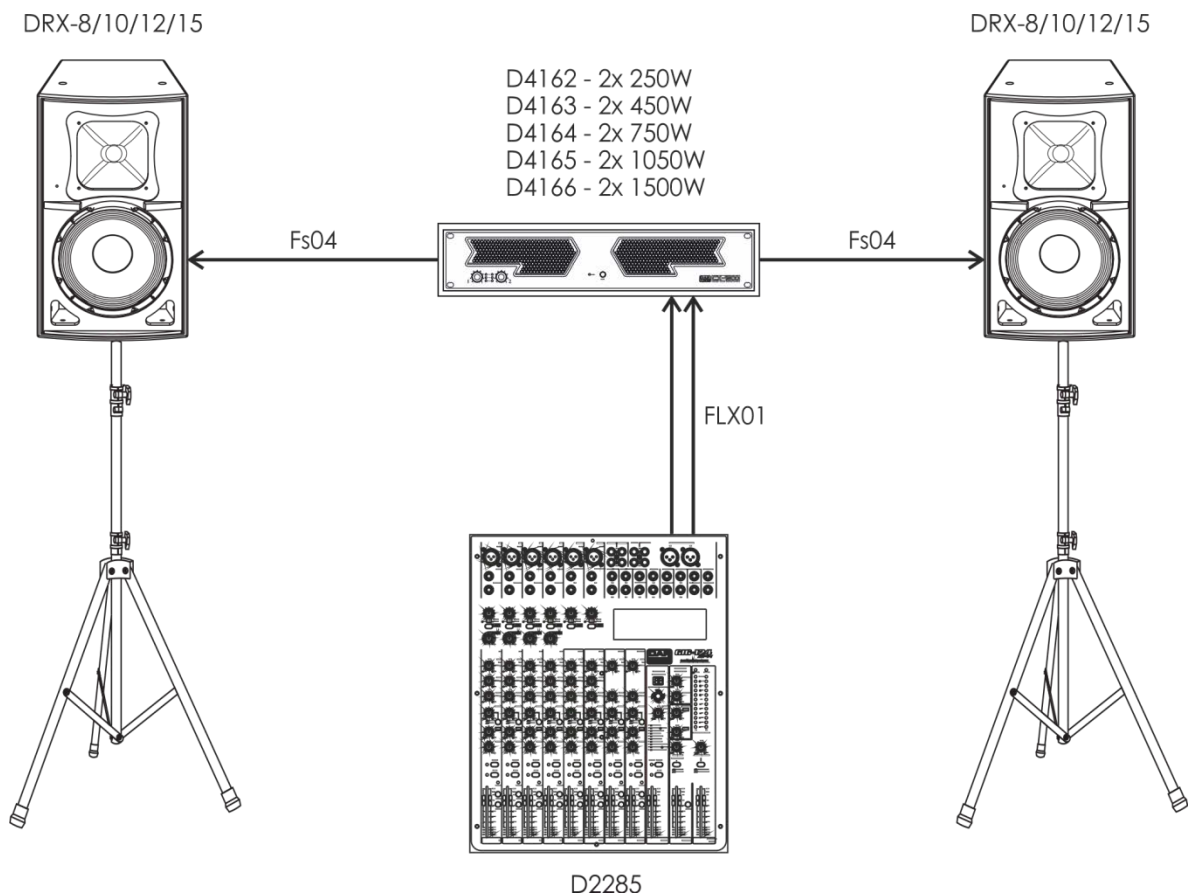
- 1) Connect one side of the speaker cable to the Output CH 1 / CH 2 to Binding Post of your stereo power amplifier and the other side to the Input socket of your speaker cabinet.
- 2) Complete other connections as illustrated.
- 3) Turn on your mixer first, then the stereo power amplifier.
- 4) Use PFL function to get the proper input level for the mixer and adjust the Main Mix Level control to manipulate the output level.
- 5) After using your equipment, turn off your stereo power amplifier first, then the mixer.



Two Passive Satellite Speakers

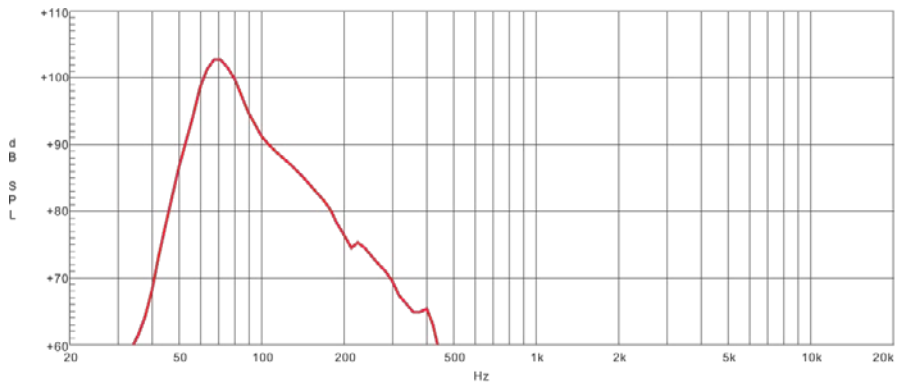
Make your initial connections with all the equipment powered off and ensure that all the main volume controls are turned completely down.

- 1) Connect one side of the speaker cable to the Output CH 1 / CH 2 to Binding Post of your stereo power amplifier and the other side to the Input socket of your speaker cabinet.
- 2) Complete other connections as illustrated.
- 3) Turn on your mixer first, then the stereo power amplifier.
- 4) Use PFL function to get the proper input level for the mixer and adjust the Main Mix Level control to manipulate the output level.
- 5) After using your equipment, turn off your stereo power amplifier first, then the mixer.

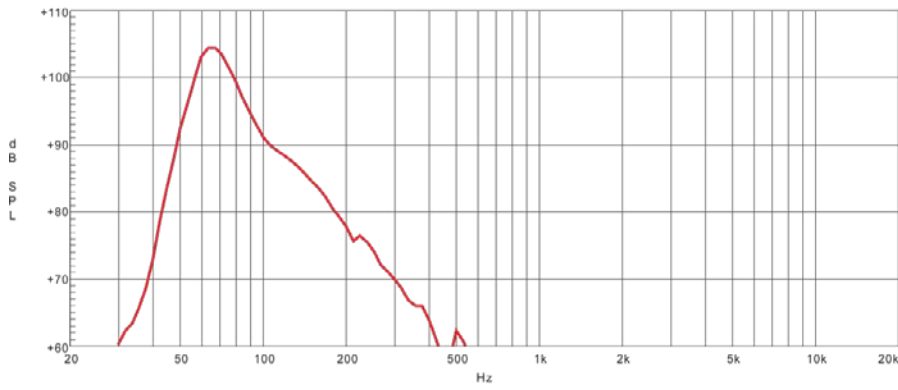


Frequency Response Diagram

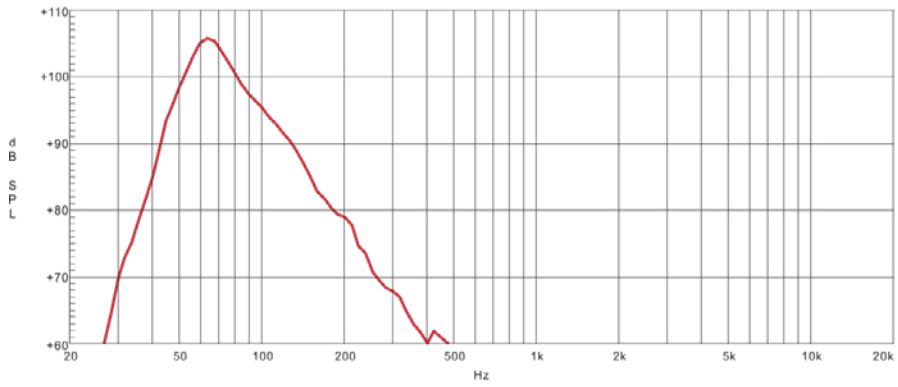
DRX-10B/12B/15B/18B



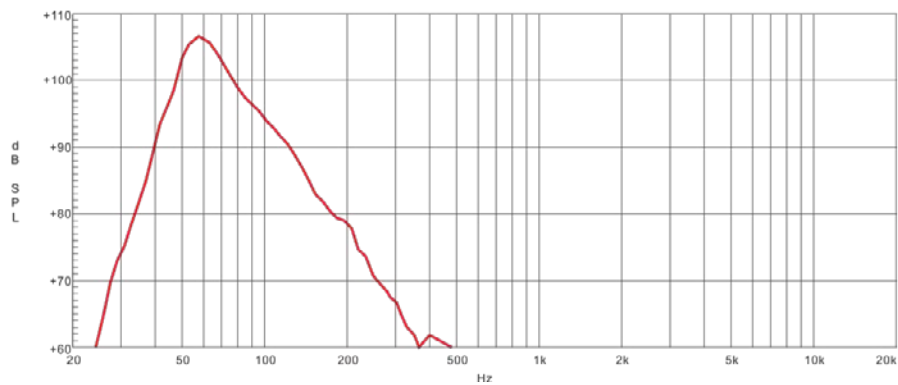
DRX-10B



DRX-12B

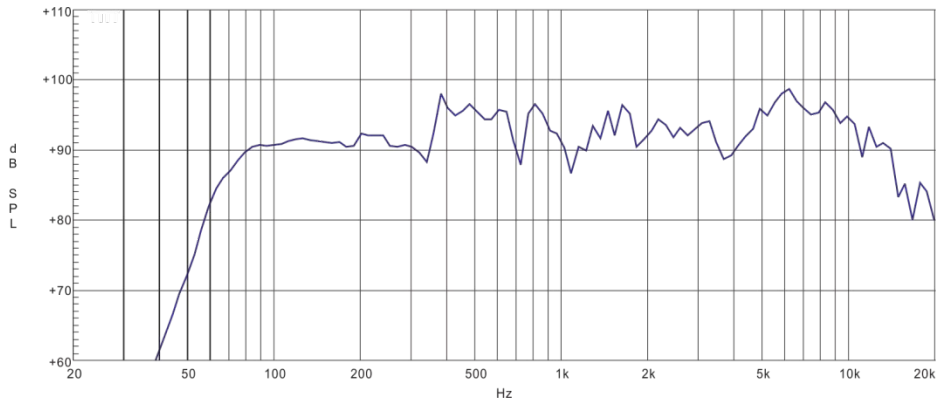


DRX-15B

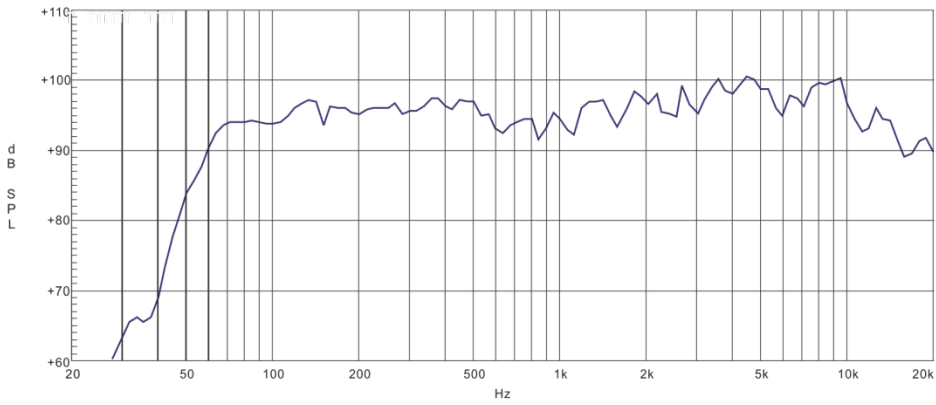


DRX-18B

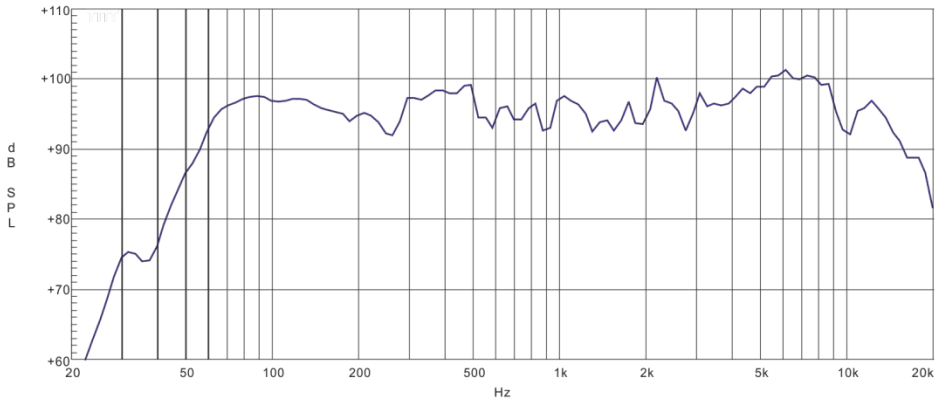
DRX-8/10/12/15



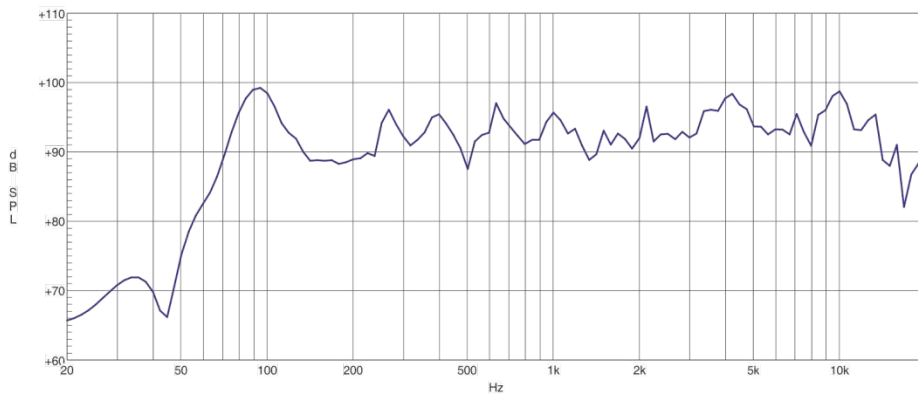
DRX-8



DRX-10



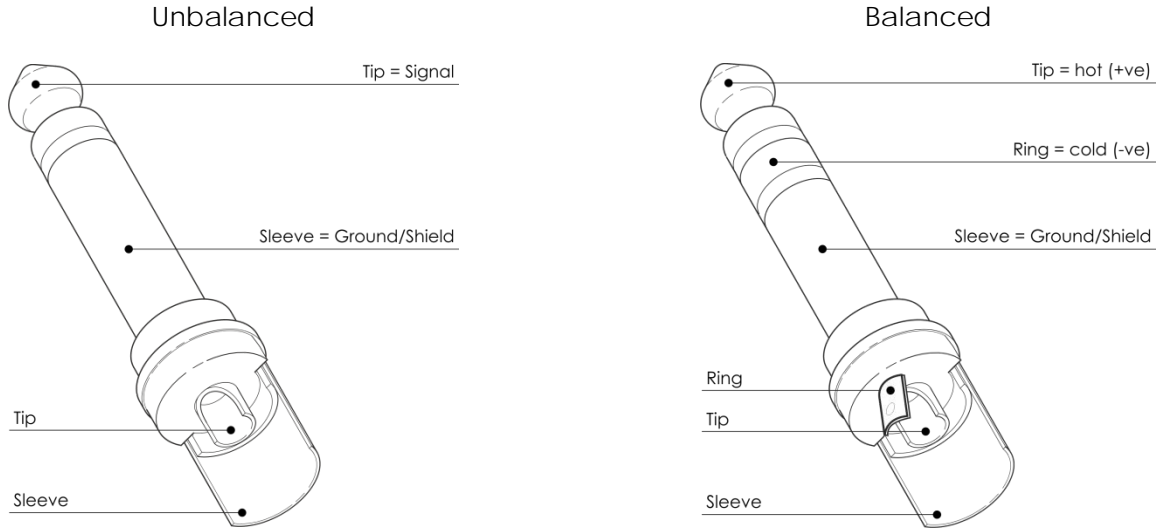
DRX-12



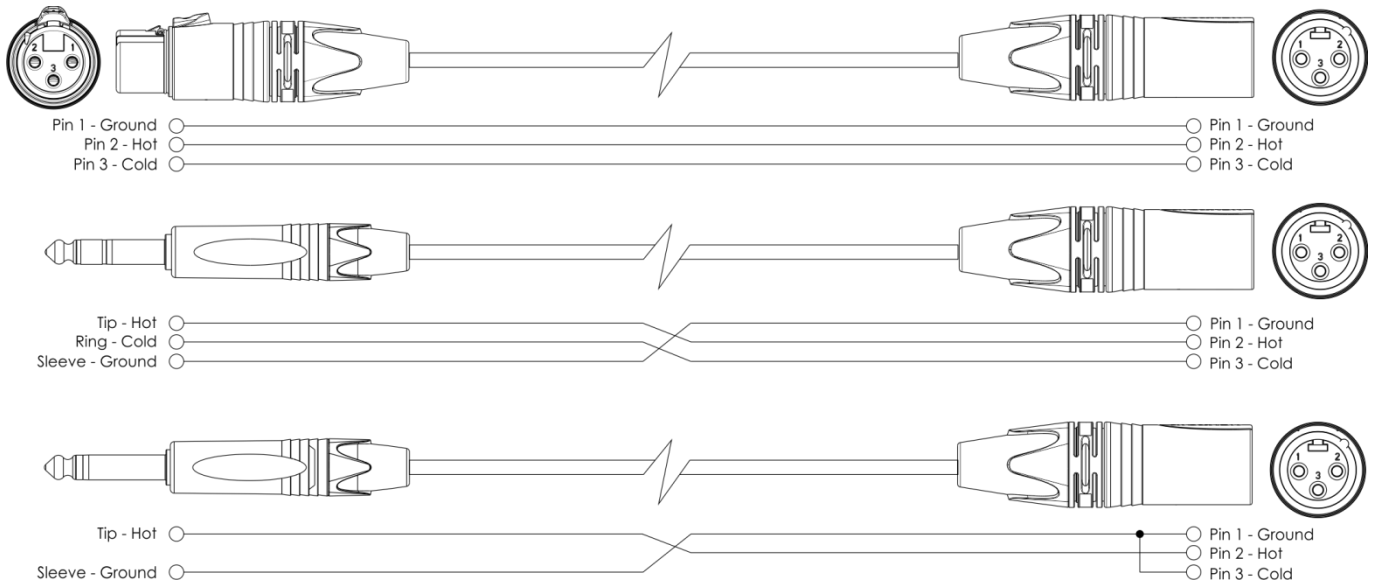
DRX-15

Connection Cables

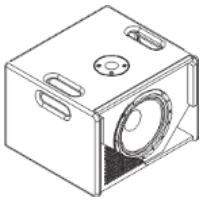
Take care of your cables, always holding them by the connectors and avoiding knots and twists when coiling them: This gives the advantage of increasing their life and reliability. Periodically check your cables. A great number of problems (faulty contacts, ground hum, discharges, etc.) are caused entirely by using unsuitable or faulty cables.



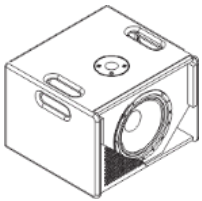
For these applications the unit provides 1/4" TRS and XLR connectors to easily interface with most professional audio devices. Follow the configuration examples below for your particular connection.



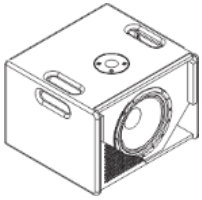
Technical Specifications



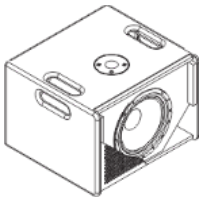
Model	DRX-10B
System Type	10" Reflex Subwoofer
Continuous Power	250W
Peak Power	500W
Transducer Low	10" Woofer, 2.5"voice coil, with double ventilation
SPL at 1m Max	121dB
Impedance	8Ω
Frequency Response	55Hz-500Hz (-6dB)
Connector	2*Speakon 1+,1- (2+,2- N/C)
Enclosure Construction	15mm plywood cabinet, glued and reinforced, resistant black paint; metal grille, rubber foot.
Mounting	One metal standard pole-mount
Dimensions (H x W x D)	325 x 465 x 421mm
Net Weight	15.03kg



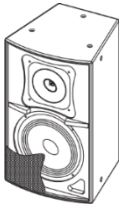
Model	DRX-12B
System Type	12" Reflex Subwoofer
Continuous Power	300W
Peak Power	600W
Transducer Low	12" Woofer, 2.5"voice coil, with double ventilation
SPL at 1m Max	123dB
Impedance	8Ω
Frequency Response	50Hz-400Hz (-6dB)
Connector	2*Speakon 1+,1- (2+,2- N/C)
Enclosure Construction	15mm plywood cabinet, glued and reinforced, resistant black paint; metal grille, rubber foot.
Mounting	One metal standard pole-mount
Dimensions (H x W x D)	370 x 530 x 480mm
Net Weight	17.95kg



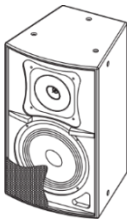
Model	DRX-15B
System Type	15" Reflex Subwoofer
Continuous Power	300W
Peak Power	600W
Transducer Low	15" Woofer, 2.5"voice coil, with double ventilation
SPL at 1m Max	124dB
Impedance	8Ω
Frequency Response	45Hz-400Hz (-6dB)
Connector	2*Speakon 1+,1- (2+,2- N/C)
Enclosure Construction	15mm plywood cabinet, glued and reinforced, resistant black paint; metal grille, rubber foot.
Mounting	One metal standard pole-mount
Dimensions (H x W x D)	450 x 580 x 480mm
Net Weight	21.3kg



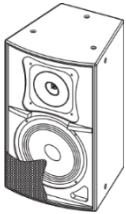
Model	DRX-18B
System Type	18" Reflex Subwoofer
Continuous Power	350W
Peak Power	700W
Transducer Low	18" Woofer, 3"voice coil, with double ventilation
SPL at 1m Max	126dB
Impedance	8Ω
Frequency Response	40Hz-400Hz (-6dB)
Connector	2*Speakon 1+,1- (2+,2- N/C)
Enclosure Construction	18mm plywood cabinet, glued and reinforced, resistant black paint; metal grille, rubber foot.
Mounting	Two metal standard pole-mounts
Dimensions (H x W x D)	535 x 661 x 515mm
Net Weight	25.8kg



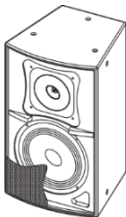
Model	DRX-8
System Type	2-Way Vented Passive Speaker cabinet
Continuous Power	100 Watts
Peak Power	200 Watts
Horn Coverage	50°H x 50°V
Speaker Sensitivity (1W.1m)	90 dB SPL ±3dB Max SPL: 113dB at 1m
Frequency Response	68Hz~20kHz (- 6dB)
Impedance	8Ω
Crossover Frequency	3.2KHz
Protection	High Frequency Protection
Low Frequency	8" Woofer - 1.5" Voice Coil
High Frequency	1" Driver - 1" Voice Coil
Enclosure Construction	15mm plywood cabinet, glued and reinforced, resistant black paint; metal grille, rubber foot.
Mounting	One ABS plastic standard pole-mount
Connectors	2 x SPK4
Dimensions (H x W x D)	542 x 360 x 352mm



Model	DRX-10
System Type	2-Way Vented Passive Speaker cabinet
Continuous Power	120 Watts
Peak Power	240 Watts
Horn Coverage	50°H x 50°V
Speaker Sensitivity (1W.1m)	95 dB SPL ±3dB Max SPL: 118dB at 1m
Frequency Response	58Hz~20kHz (- 6dB)
Impedance	8Ω
Crossover Frequency	3.2KHz
Protection	High Frequency Protection
Low Frequency	10" Woofer - 2" Voice Coil
High Frequency	1" Driver - 1" Voice Coil
Connectors	2 x SPK4
Enclosure Construction	15mm plywood cabinet, glued and reinforced, resistant black paint; metal grille, rubber foot.
Mounting	One ABS plastic standard pole-mount
Dimensions (H x W x D)	550 x 328 x 320mm



Model	DRX-12
System Type	2-Way Vented Passive Speaker cabinet
Continuous Power	150 Watts
Peak Power	300 Watts
Horn Coverage	50°H x 50°V
Speaker Sensitivity (1W.1m)	95.6 dB SPL ±3dB Max SPL: 120.3dB at 1m
Frequency Response	55Hz~20kHz (- 6dB)
Impedance	8Ω
Crossover Frequency	2.8KHz
Protection	High Frequency Protection
Low Frequency	12" Woofer - 2" Voice Coil
High Frequency	1" Driver - 1" Voice Coil
Enclosure Construction	15mm plywood cabinet, glued and reinforced, resistant black paint; metal grille, rubber foot.
Mounting	One ABS plastic standard pole-mount
Connectors	2 x SPK4
Dimensions (H x W x D)	650 x 440 x 435mm



Model	DRX-15
System Type	2-Way Vented Passive Speaker cabinet
Continuous Power	200 Watts
Peak Power	400 Watts
Horn Coverage	50°H x 50°V
Speaker Sensitivity (1W.1m)	96 dB SPL ±3dB Max SPL: 122dB at 1m
Frequency Response	50Hz~20kHz (- 6dB)
Impedance	8Ω
Crossover Frequency	2.8KHz
Protection	High Frequency Protection
Low Frequency	15" Woofer - 2" Voice Coil
High Frequency	1" Driver - 1" Voice Coil
Enclosure Construction	15mm plywood cabinet, glued and reinforced, resistant black paint; metal grille, rubber foot.
Mounting	One ABS plastic standard pole-mount
Connectors	2 x SPK4
Dimensions (H x W x D)	522 x 486 x 736mm

Troubleshooting

This troubleshooting guide is meant to help solve simple problems. If a problem occurs, carry out the steps below in sequence until a solution is found. Once the unit operates properly, do not carry out following steps.

1. If the device does not operate properly, unplug the device.
2. Check the fuse, power from the wall, all cables, etc.
3. If all of the above appears to be O.K., plug the unit in again.
4. If you are unable to determine the cause of the problem, do not open the device, as this may damage the unit and the warranty will become void.
5. Return the device to your Dap Audio dealer.



©2015 DAP Audio