

creative textile solutions

WENTEX INTERNATIONAL B.V.

Italiëlaan 4b
2391 PT Hazerswoude-Dorp

T +31 (0) 172 722475
F +31 (0) 172 722476

E info@wentex.eu
W www.wentex.eu

This document, or parts thereof must not be communicated to any third party, or reproduced in any form or media without the prior written consent of WENTEX.

This project has been granted a limited term non-exclusive license to utilise the designs and other proprietary information provided by WENTEX in connection with this project. For this project only.

PROJECT NAME

Eurotrack

CLIENT

WENTEX

ITEM NAME

double pulley

ITEM CODE

18.900.020

MATERIAL INFO

-Steel sheet 2mm thick
-Steel sheet 5mm thick

SURFACE FINISH

electrophoretic coating - black

SCALE PAPER DIMENSIONS

1:2 A4 mm

DRAWN BY PRINT DATE

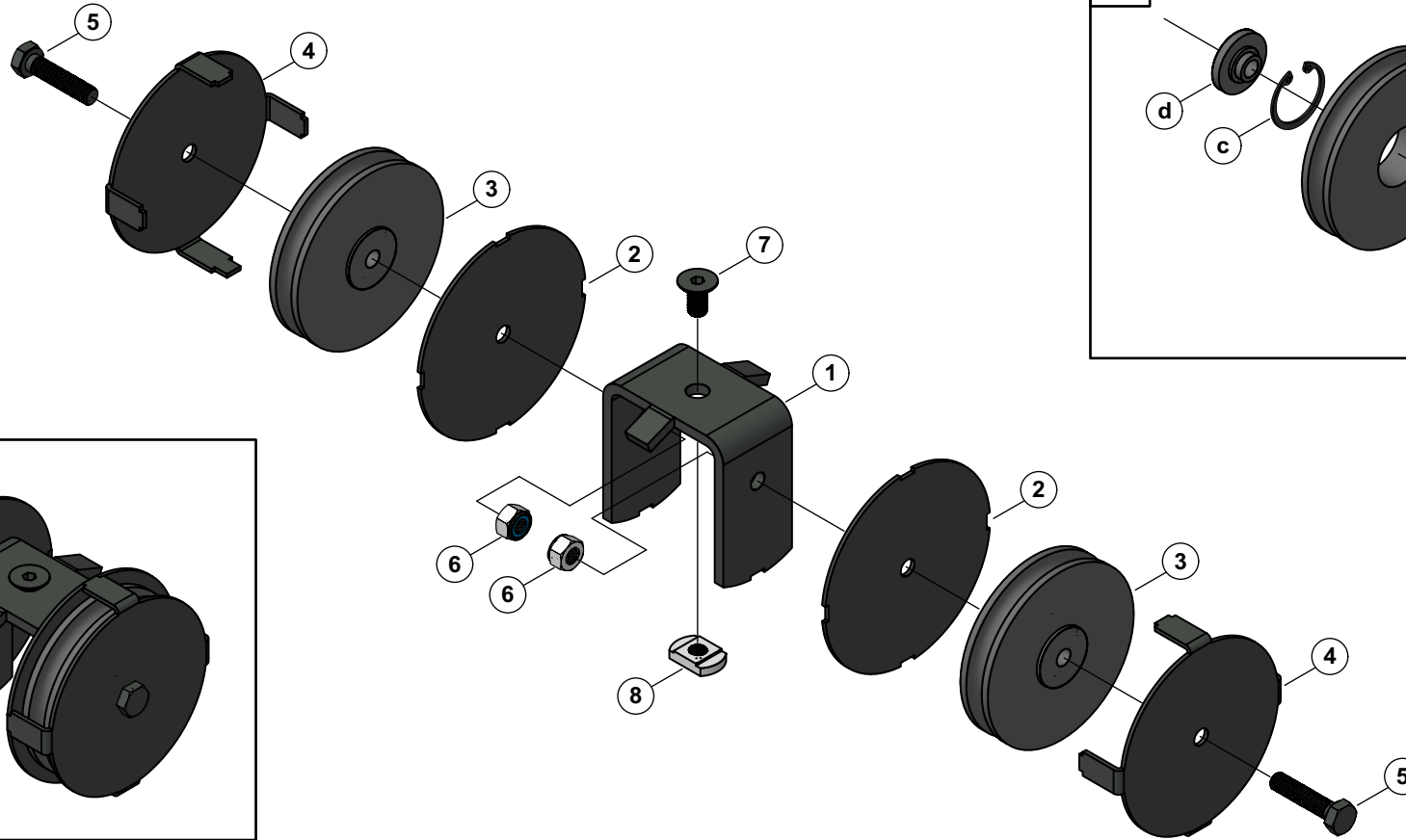
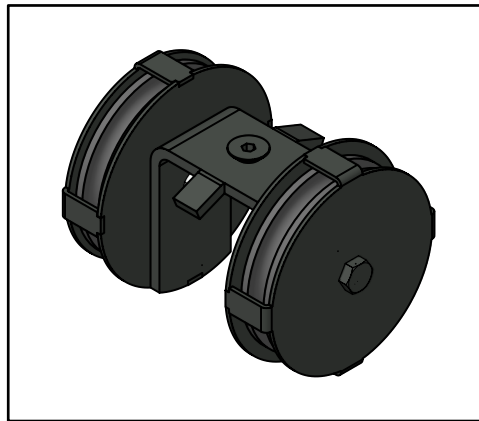
AJ 30.01.2015

REMARK

SET includes:
-1x double pulley
-1x Flat head socket cap screw M8x16
-1x sliding nut M8

SHEET NUMBER

1/5



Item name	Material info
1. Body Part 1	powdercoated steel
2. Body Part 2	powdercoated steel
3. Wheel set:	
a. Wheel	plastic
b. Ball bearing	steel
c. Retaining ring	steel
d. Spacer	plastic
4. Body Part 3	steel
5. Bolt M8x35	steel
6. Nylon lock nut M8	steel
7. Cap screw M8x16 mm.	steel
8. Sliding nut M8	steel



This document, or parts thereof must not be communicated to any third party, or reproduced in any form or media without the prior written consent of WENTEX.

This project has been granted a limited term non-exclusive license to utilise the designs and other proprietary information provided by WENTEX in connection with this project. For this project only.

PROJECT NAME		
Eurotrack		
CLIENT		
WENTEX		
ITEM NAME		
Double wheel pulley		
ITEM CODE		
89527;		
MATERIAL INFO		
-Steel sheet 5mm and 2mm thick -Steel bolts,nuts,rings -Plastic wheels; -Steel ball bearing		
SURFACE FINISH		
(RAL9005) powder coated		
SCALE	PAPER	DIMENSIONS
1:3	A4	mm
DRAWN BY		PRINT DATE
AJ		14.04.2020
REMARK		
SHEET NUMBER		
001		