

WENTEX INTERNATIONAL B.V.

Italiëlaan 4b
2391 PT Hazerswoude-Dorp

T +31 (0) 172 722475
F +31 (0) 172 722476

E info@wentex.eu
W www.wentex.eu

This document, or parts thereof must not be communicated to any third party, or reproduced in any form or media without the prior written consent of WENTEX.

This project has been granted a limited term non-exclusive license to utilise the designs and other proprietary information provided by WENTEX in connection with this project. For this project only.

PROJECT NAME

Eurotrack

CLIENT

WENTEX

ITEM NAME

return pulley

ITEM CODE

18.900.010

MATERIAL INFO

-Steel sheet 2mm thick
-Steel sheet 5mm thick

SURFACE FINISH

electrophoretic coating - black

SCALE PAPER DIMENSIONS

1:2 A4 mm

DRAWN BY PRINT DATE

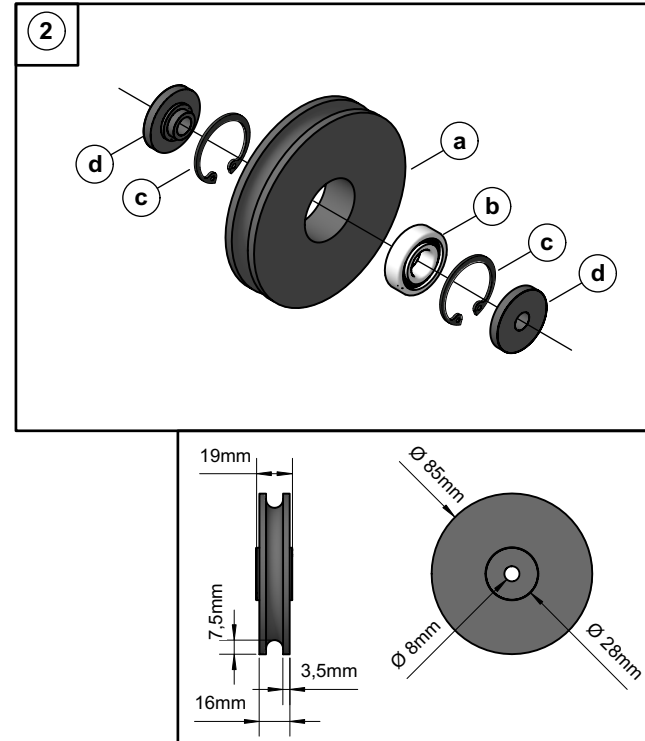
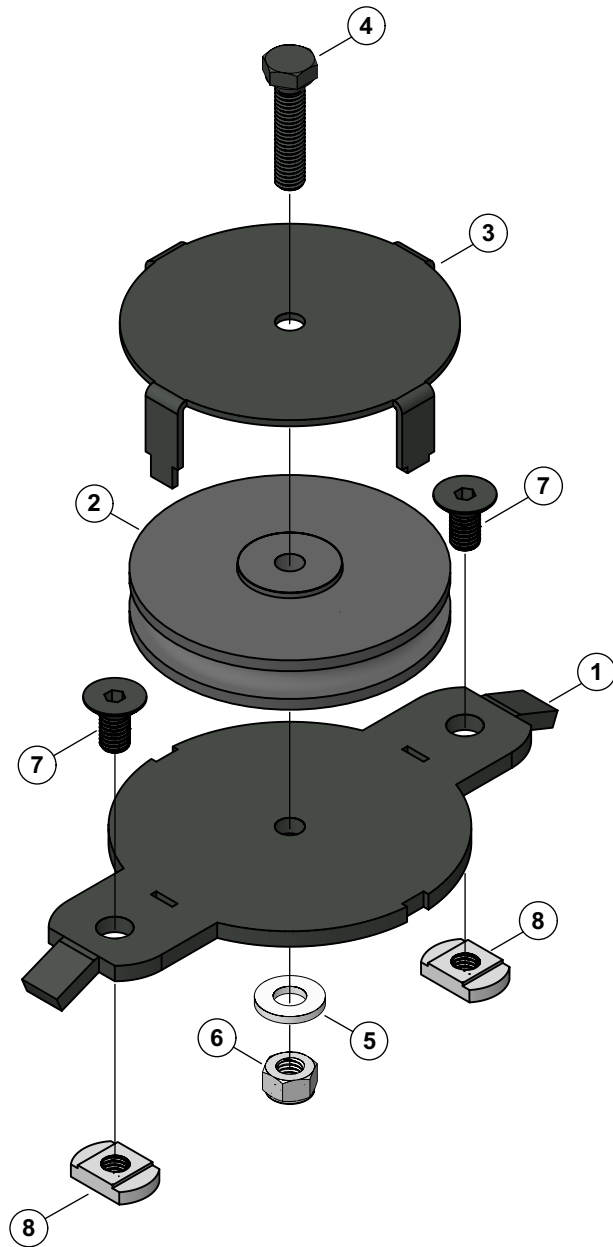
AJ 30.01.2015

REMARK

SET includes:
-1x return pulley
-2x Flat head socket cap screw M8x16
-2x sliding nut M8

SHEET NUMBER

1/4



- | | |
|---|------|
| 1. Body Part 1 | - 1x |
| 2. Pulley set: | - 1x |
| a. Plastic pulley Ø85 mm. (for Ø8 mm. rope) | |
| b. Ball bearing 6001RS12x28x8 mm. | |
| c. Retaining ring 28 mm. | |
| d. Plastic spacer M8. | |
| 3. Body Part 2 | -1x |
| 4. Hex bolt M8x35 mm. (black) | -1x |
| 5. Washer M8 | -1x |
| 6. Nylon lock nut M8 | -1x |
| 7. Flat head hex socket cap screw M8x16 mm. | -2x |
| 8. Sliding nut M8 | -2x |



WENTEX INTERNATIONAL B.V.

Italiëlaan 4b
2391 PT Hazerswoude-Dorp

T +31 (0) 172 722475
F +31 (0) 172 722476

E info@wentex.eu
W www.wentex.eu

This document, or parts thereof must not be communicated to any third party, or reproduced in any form or media without the prior written consent of WENTEX.

This project has been granted a limited term non-exclusive license to utilise the designs and other proprietary information provided by WENTEX in connection with this project. For this project only.

PROJECT NAME

Eurotrack

CLIENT

WENTEX

ITEM NAME

return pulley

ITEM CODE

18.900.010

MATERIAL INFO

-Steel sheet 2mm thick
-Steel sheet 5mm thick

SURFACE FINISH

electrophoretic coating - black

SCALE PAPER DIMENSIONS

1:2 A4 mm

DRAWN BY PRINT DATE

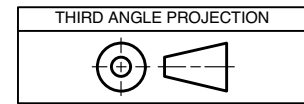
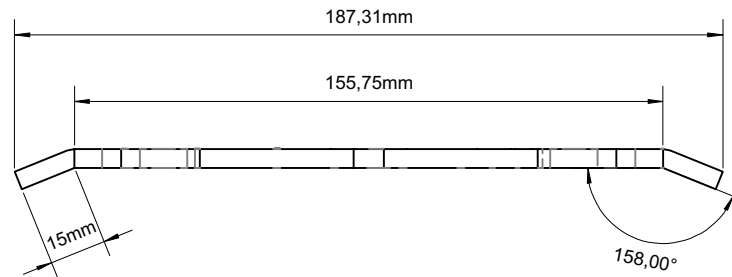
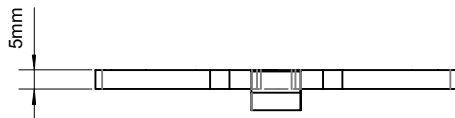
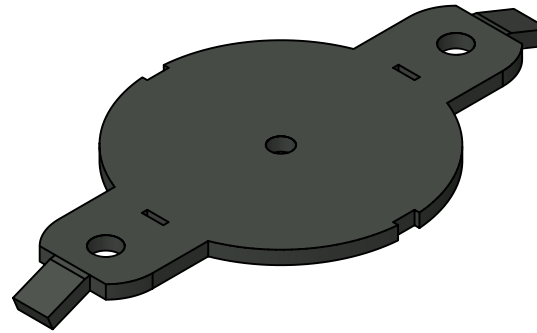
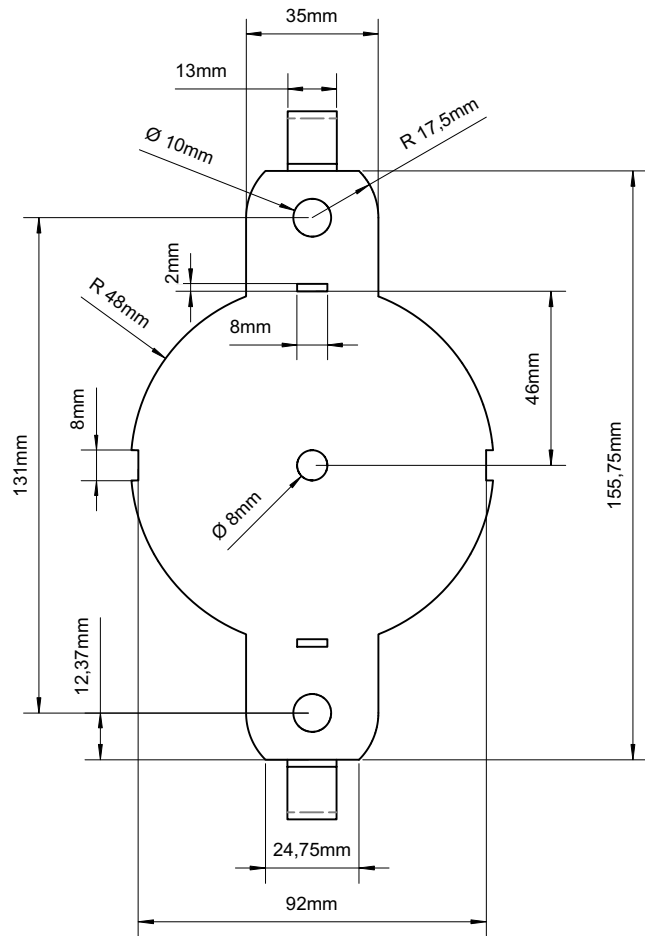
AJ 30.01.2015

REMARK

SET includes:
-1x return pulley
-2x Flat head socket cap screw M8x16
-2x sliding nut M8

SHEET NUMBER

2/4



WENTEX INTERNATIONAL B.V.

Italiëlaan 4b
2391 PT Hazerswoude-Dorp

T +31 (0) 172 722475
F +31 (0) 172 722476

E info@wentex.eu
W www.wentex.eu

This document, or parts thereof must not be communicated to any third party, or reproduced in any form or media without the prior written consent of WENTEX.

This project has been granted a limited term non-exclusive license to utilise the designs and other proprietary information provided by WENTEX in connection with this project. For this project only.

PROJECT NAME

Eurotrack

CLIENT

WENTEX

ITEM NAME

return pulley

ITEM CODE

18.900.010

MATERIAL INFO

-Steel sheet 5mm thick

SURFACE FINISH

electrophoretic coating - black

SCALE PAPER DIMENSIONS

1:2 A4 mm

DRAWN BY PRINT DATE

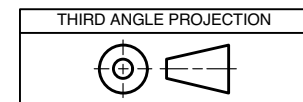
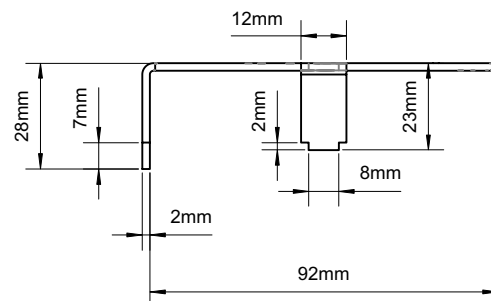
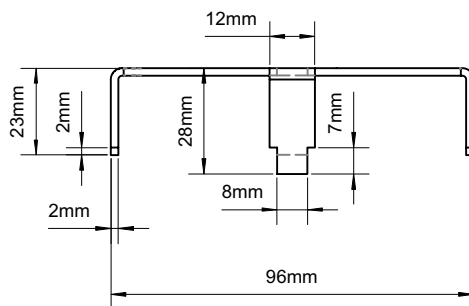
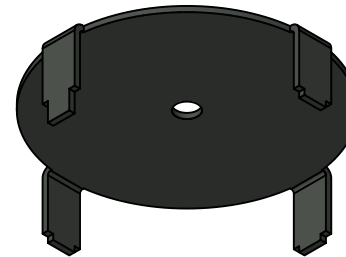
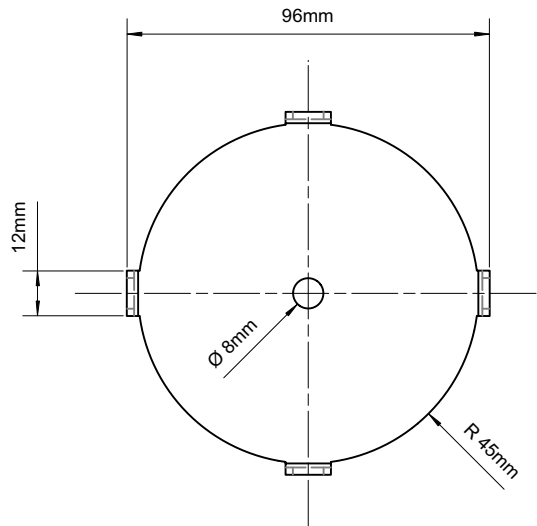
AJ 30.01.2015

REMARK

-Body part 1

SHEET NUMBER

3/4



WENTEX INTERNATIONAL B.V.

Italiëlaan 4b
2391 PT Hazerswoude-Dorp

T +31 (0) 172 722475
F +31 (0) 172 722476

E info@wentex.eu
W www.wentex.eu

This document, or parts thereof must not be communicated to any third party, or reproduced in any form or media without the prior written consent of WENTEX.

This project has been granted a limited term non-exclusive license to utilise the designs and other proprietary information provided by WENTEX in connection with this project. For this project only.

PROJECT NAME

Eurotrack

CLIENT

WENTEX

ITEM NAME

return pulley

ITEM CODE

18.900.010

MATERIAL INFO

-Steel sheet 2mm thick

SURFACE FINISH

electrophoretic coating - black

SCALE PAPER DIMENSIONS

1:2 A4 mm

DRAWN BY PRINT DATE

AJ 30.01.2015

REMARK

-Body part 2

SHEET NUMBER

4/4