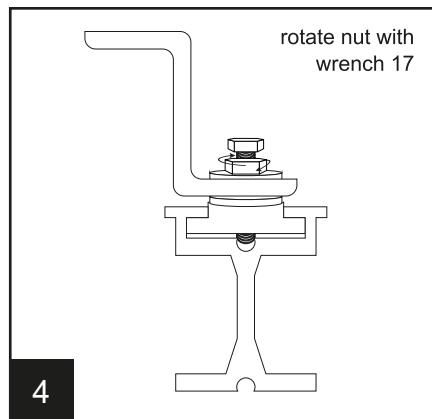
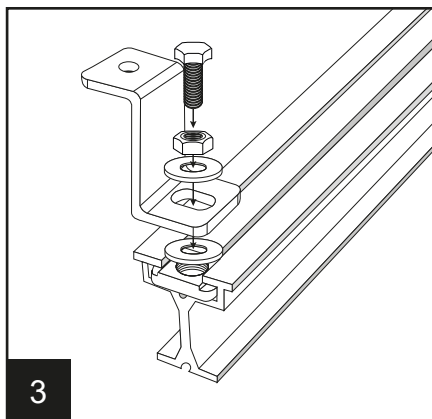
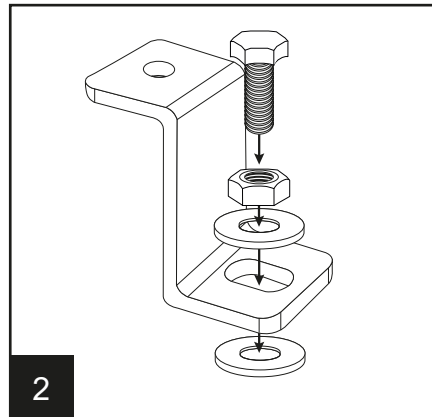
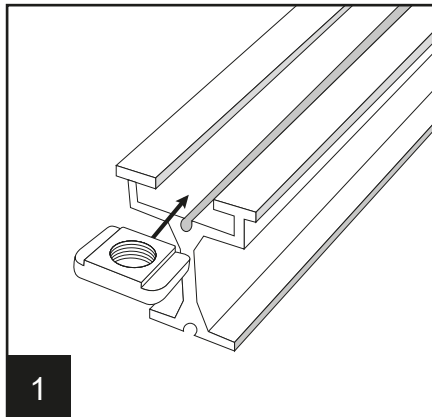
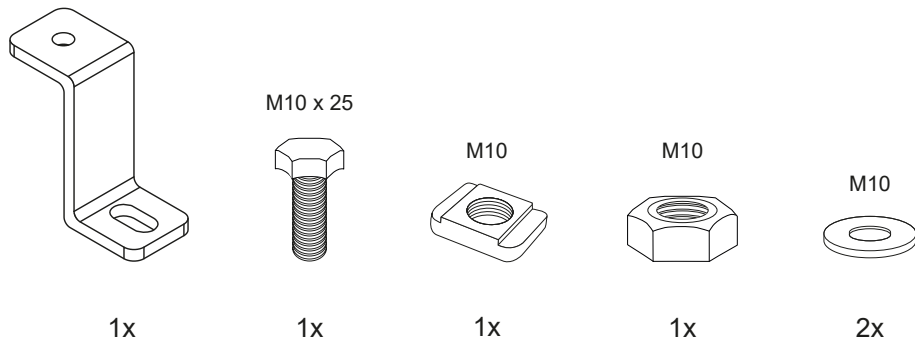
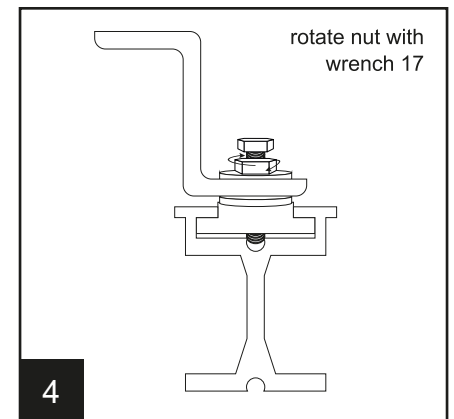
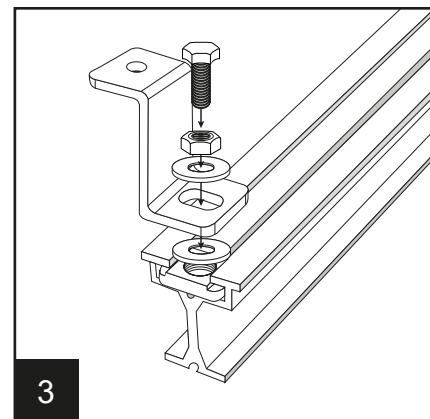
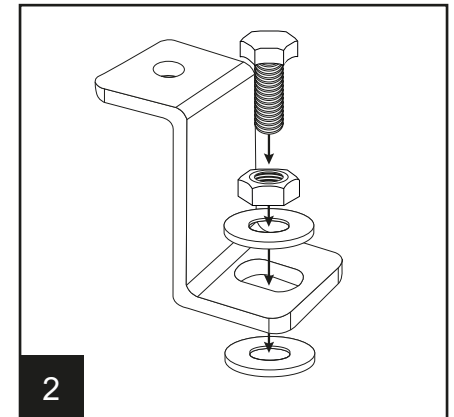
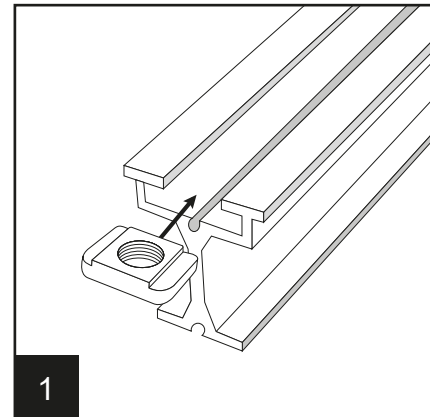
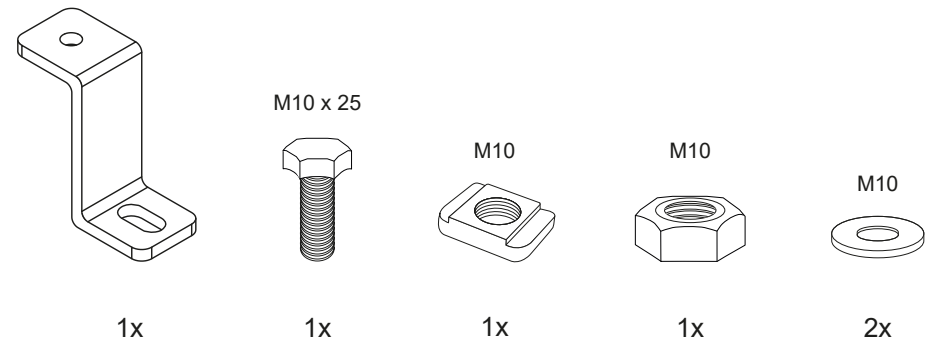
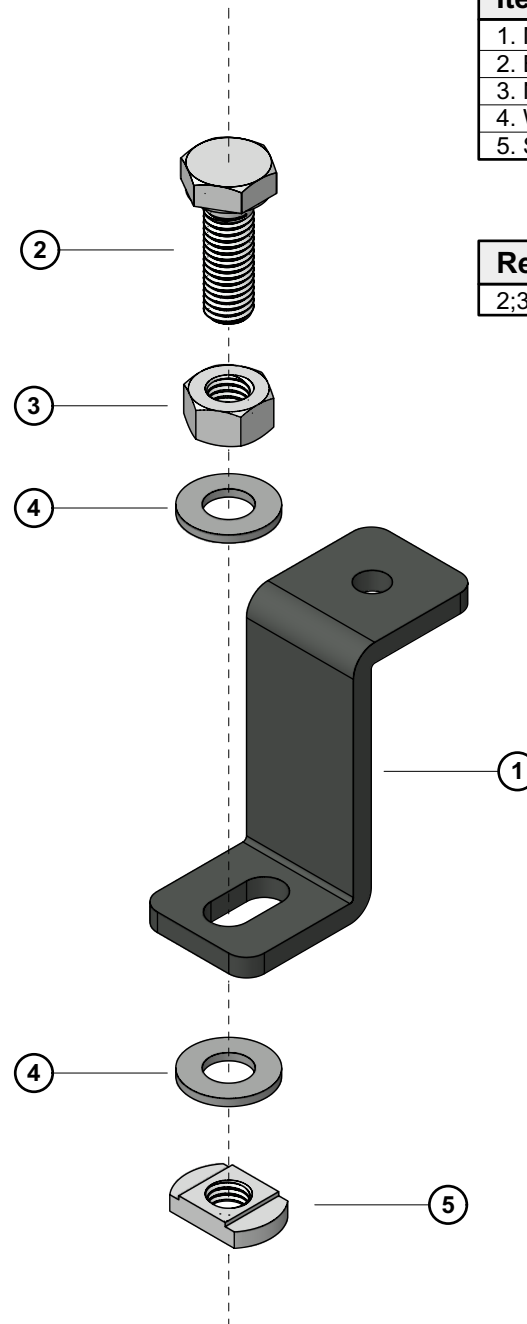
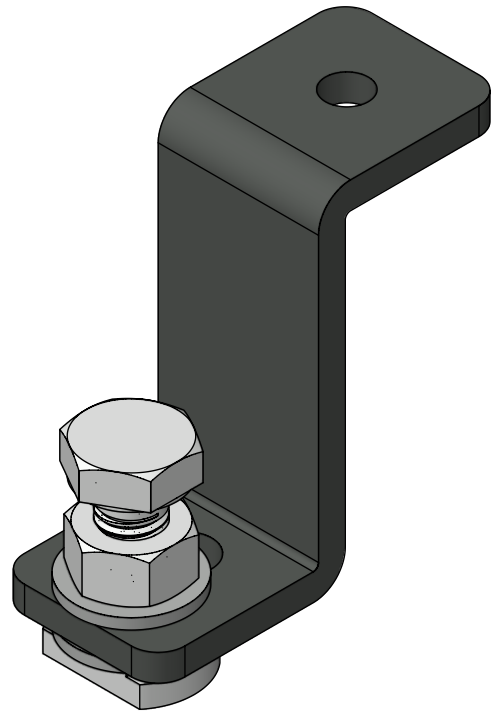


Mounting bracket Manual



Mounting bracket Manual





Item name	Material info
1. Mounting bracket	powdercoated steel
2. Bolt M10	steel
3. Nut M10	steel
4. Washer M10	steel
5. Sliding nut M10	steel

Replacement part:	CODE
2;3;4;5. Set bolt-ring-nut	SPWEN020;



creative textile solutions

This document, or parts thereof must not be communicated to any third party, or reproduced in any form or media without the prior written consent of WENTEX.

This project has been granted a limited term non-exclusive license to utilise the designs and other proprietary information provided by WENTEX in connection with this project. For this project only.

PROJECT NAME		
Eurotrack		
CLIENT		
WENTEX		
ITEM NAME		
Universal mounting bracket		
ITEM CODE		
89511;		
MATERIAL INFO		
-Steel sheet 5mm thick - Steel bolts,washers,nuts		
SURFACE FINISH		
(RAL9005) powder coated		
SCALE	PAPER	DIMENSIONS
1:1	A4	mm
DRAWN BY		PRINT DATE
AJ		14.04.2020
REMARK		
SHEET NUMBER		
001		