



# Manually Operated Super Tower™

**SUPER TOWER™**

Lifts and supports lighting systems, sound systems and stage scenery.



**Genie Industries**

## The Ideal Stage Hand!

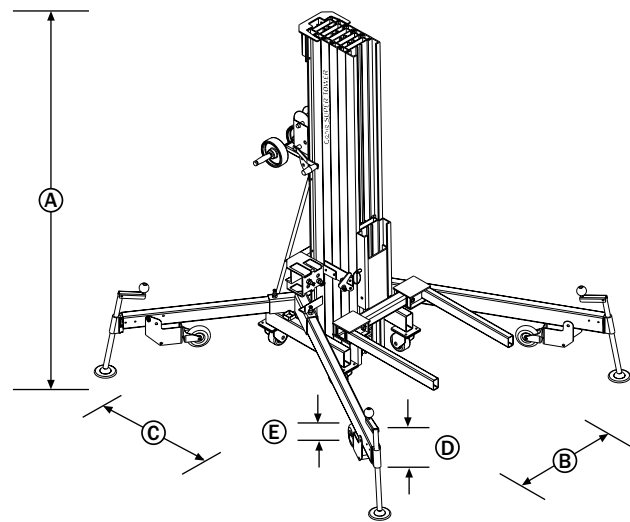
With an **800 lb (363 kg)** or **650 lb (295 kg)** load capacity, the Genie Super Tower is the ideal tool for lifting and supporting **lighting systems, sound systems and stage scenery**. Depend on it for flawless theatrical productions and entertainment events.

### Standard Features

- The Super Tower can be used as a single unit, or two or more can be used together to support trusses to span a stage.
- **Setup is easy.** Just install the outriggers and set the leveling jacks.
- To ensure load stability, **the hand winch locks the load in place** when the handle is released.
- In a stowed position, the Super Tower is **easy to transport**—with no bulky base to get in the way.
- It comes standard with a **flat black anodized finish** so that the unit is nearly invisible to the audience.
- Perfect for heavy lighting systems.
- Lifts 800 lb (363 kg) to 19 ft 6 in (5.94 m) or 650 lb (295 kg) to 24 ft 4 in (7.42 m).
- **Compact base.** Stowed dimensions are 22 in (56 cm) x 25¼ in (64 cm).

### Options and Accessories

- One- or two-speed winch
- Load platform
- Fork extensions



### Specifications

Model	ST-20	Metric
	<b>US</b>	
Ⓐ Height - stowed	78¾ in	2 m
Ⓑ Width - stowed	22 in	56 cm
Ⓒ Length - stowed	25¼ in	64 cm
Ⓓ Minimum load height	6 in	15 cm
Ⓔ Ground clearance	2 in	5 cm
Outrigger footprint	73½ x 79½ in	1.87 x 2.02 m
Load capacity - at 18 in load center	800 lb	363 kg
Weight	446 lb	202 kg
Average winch cranks	8½/ft	28/m
Adjustable forks	27½ x 11½ to 30 x 2½ in	70 x 29 to 76 x 6 cm
Adjustable forks weight	52½ lb	24 kg
Working height - forks down	19 ft 6 in	5.94 m
Working height - forks up	21 ft 2½ in	6.46 m
<b>Model</b>	<b>ST-25</b>	
Ⓐ Height - stowed	78¾ in	2 m
Ⓑ Width - stowed	22 in	56 cm
Ⓒ Length - stowed	25¼ in	64 cm
Ⓓ Minimum load height	6 in	15 cm
Ⓔ Ground clearance	2 in	5 cm
Outrigger footprint	73½ x 79½ in	1.87 x 2.02 m
Load capacity - at 18 in load center	650 lb	295 kg
Weight	490 lb	222 kg
Average winch cranks	8½/ft	28/m
Adjustable forks	27½ x 11½ to 30 x 2½ in	70 x 29 to 76 x 6 cm
Adjustable forks weight	52½ lb	24 kg
Working height - forks down	24 ft 4 in	7.42 m
Working height - forks up	26 ft 1/2 in	7.94 m

Distributed By:

## Genie Industries

○ **GENIE UNITED STATES**  
 18340 NE 76th Street  
 P.O. Box 97030  
 Redmond, Washington 98073-9730  
 Telephone **(425) 881-1800**  
 Toll Free in USA/Canada **800-536-1800**  
 Fax (425) 883-3475  
<http://www.genielift.com>

○ **GENIE UNITED KINGDOM**  
 Brunel Drive  
 Newark  
 Nottinghamshire  
 NG24 2EG England  
 Telephone **(44) 01636-614700**  
 Fax (44) 01636-611090  
<http://www.genielift.com>