



ASSEMBLY INSTRUCTION

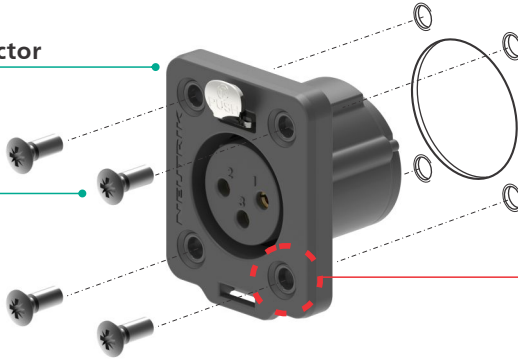
XLR Chassis TOP | NC*FDX-TOP with SCFDX-TOP
NC*MDX-TOP with SCMDX-TOP

IP65 RATED AND UL50E APPROVED.

1 Connector installation

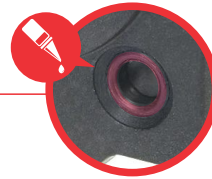
Any TOP XLR chassis connector

4x Screws



ATTENTION:
Tightening torque
 $M_A = 40 \text{ Ncm}$

Equipment / Panel

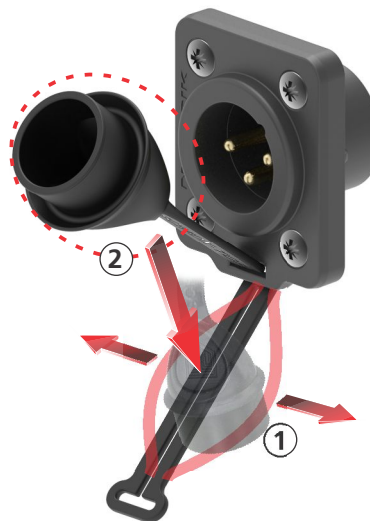


Lubricate O-Gasket with silicon on all 4 screw holes.

2 Mount the sealing cover



A Insert the ribbon through the dedicated slot.

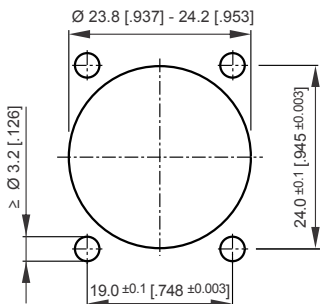


B (1) Split the ribbon and (2) put through the cover.

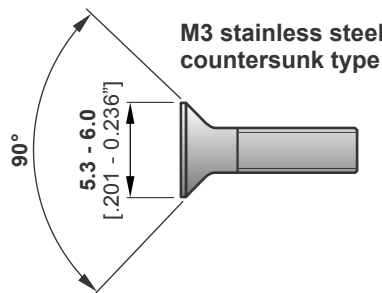


C Tighten the ribbon

3 Panel Cutout (Rear Side)



4 Recommended screw



Find more details of XLR Chassis on www.neutrik.com.



Neutrik AG	LI	T: +423 / 237 24 24	F: +423/232 53 93	Neutrik France	FR	T: +33 1/4131 6750	F: +33 1/4131 0511
Neutrik USA Inc.	USA	T: +1 704 / 972 3050	F: +1 704/438 9202	Neutrik Tokyo Ltd.	JP	T: +81 3/3663 4733	F: +81 3/3663 4796
Neutrik (UK) Ltd.	UK	T: +44 1983 / 811 441	F: +44 1983/811 439	Neutrik Hong Kong Ltd.	HK	T: +852/2687 6055	F: +852/2687 6052
Neutrik Vertriebs GmbH	DE/NL/AT/DK	T: +49 8131 / 280 890	F: +49 8131/280 830	Neutrik India Pvt. Ltd.	IND	T: +91/982 05 43 424	F: +91/22 26163 540

Draft. Nr.: BDA 553 V2 | Update: 07.06.2019 Data subject to change without prior notice. © 2018 NEUTRIK®. NEUTRIK® are registered trademark of NEUTRIK AG. ALL RIGHTS RESERVED.