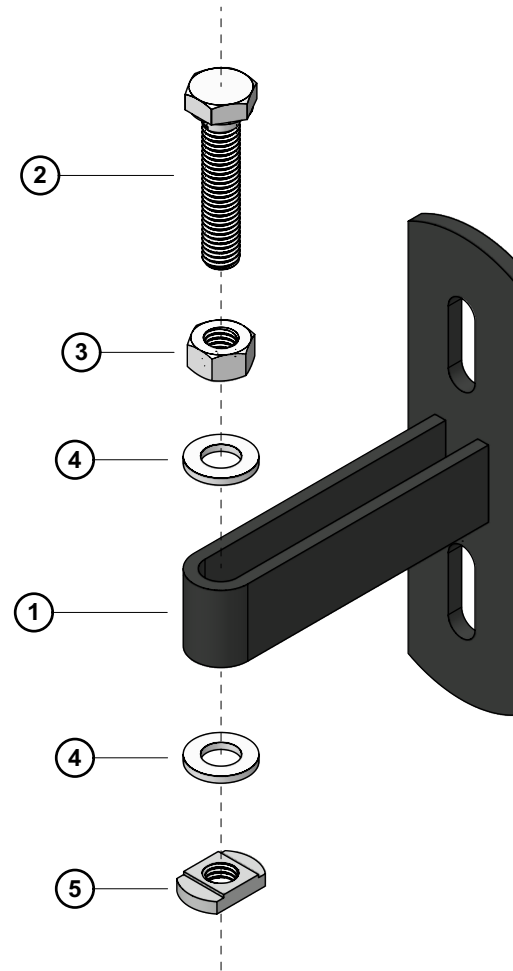


Item name	Material info
1. Mounting bracket	powdercoated steel
2. Bolt M10	steel
3. Nut M10	steel
4. Washer M10	steel
5. Sliding nut M10	steel



creative textile solutions

*This document, or parts thereof must not be communicated to any third party, or reproduced in any form or media without the prior written consent of WENTEX.*

*This project has been granted a limited term non-exclusive license to utilise the designs and other proprietary information provided by WENTEX in connection with this project. For this project only.*

**PROJECT NAME**

Eurotrack

**CLIENT**

WENTEX

**ITEM NAME**

Wall mounting bracket

**ITEM CODE**

89532;89537;89538;

**MATERIAL INFO**

-Steel sheet 5mm thick  
- Steel flat bar 4x25mm

**SURFACE FINISH**

(RAL9005) powder coated

**SCALE PAPER DIMENSIONS**

1:1 A4 mm

**DRAWN BY PRINT DATE**

AJ 14.04.2020

**REMARK**

**SHEET NUMBER**

001