

USER AND INSTALLATION MANUAL

MAG:CFX®

ENGLISH

# /FX-BLOWER.®



CE AIR FX

PART02062

rev 01-00



## DISCLAIMER

---

### **⚠ WARNING**

Read this manual carefully before installing and/or using this product. Failure to read the manual and to follow the printed instructions may lead to personal injury and/or damage to the product.

---

© 2021 MAGICFX®  
All rights reserved.

Nothing from this publication may be copied, reproduced and/or published by means of printing, photocopying or by any other means, without the prior written approval of MAGIC FX.

MAGIC FX reserves the right to modify specifications stated in this manual.

## TRADEMARKS

Any brand names mentioned in this manual are registered trademarks of their respective owners.

## LIABILITY

MAGIC FX accepts no liability for claims from third parties arising from unauthorized use, use other than that stated in this manual, and use other than in accordance with the General Conditions registered at the Chamber of Commerce.

We further refer to the General Conditions. These are available on request, free of charge.

Although considerable care has been taken to ensure a correct and comprehensive description of all relevant components, the manual may nonetheless contain errors and inaccuracies.

Should you detect any errors or inaccuracies in the manual, we would be grateful if you would inform us. This helps us to further improve our documentation.

# TABLE OF CONTENTS

Disclaimer	3
Trademarks	3
Liability	3
Foreword	5
Language	5
Revision table	5
<b>1 Meet the MAGICFX® FX-BLOWER!</b>	<b>6</b>
<b>1.1 Main parts</b>	<b>7</b>
<b>1.2 Technical data</b>	<b>8</b>
<b>1.3 Product identification</b>	<b>8</b>
<b>1.4 Accessories</b>	<b>9</b>
<b>1.5 Input &amp; Output</b>	<b>9</b>
<b>2 Blow safely!</b>	<b>10</b>
<b>2.1 General safety rules</b>	<b>10</b>
<b>2.2 Transport</b>	<b>10</b>
<b>2.3 Indoor &amp; Outdoor use</b>	<b>11</b>
<b>2.4 Rigging</b>	<b>11</b>
<b>2.5 Noise level</b>	<b>11</b>
<b>2.6 Safety symbols</b>	<b>11</b>
<b>2.7 Precautions for operation</b>	<b>12</b>
<b>3 Let's blow some air!</b>	<b>13</b>
<b>3.1 Install the machine</b>	<b>13</b>
<b>3.2 Time to blow!</b>	<b>14</b>
<b>3.3 Clean up</b>	<b>15</b>
<b>4 Truss bracket Accessory</b>	<b>16</b>
<b>4.1 Installation of the FX-BLOWER BRACKET</b>	<b>16</b>
<b>5 Maintenance</b>	<b>17</b>
<b>6 Troubleshooting</b>	<b>17</b>
<b>7 Correct disposal</b>	<b>17</b>
<b>8 EC Declaration of Conformity</b>	<b>18</b>

## FOREWORD

Congratulations! You have bought a great new product from MAGIC FX.

This manual contains all information required for the intended use of the equipment. Deviation from the described intended use can result in a hazardous situation and/or property damage.

This manual includes notes and warnings on safe operation of the equipment. These notes and warnings are accompanied by the following icons. Read them attentively!

---

**⚠ DANGER**

Indicates a hazardous situation that, if not avoided, will result in death or serious injury. This signal word is to be limited to the most extreme situations.

---

---

**⚠ WARNING**

Indicates a hazardous situation that, if not avoided, could result in death or serious injury.

---

---

**⚠ CAUTION**

Indicates a hazardous situation that, if not avoided, could result in minor or moderate injury.

---

---

**NOTICE**

Indicates information considered important, but not hazard-related (e.g. messages relating to property damage).

---

## LANGUAGE

This document contains the original instructions in English. In case you require other languages please contact MAGIC FX.

## REVISION TABLE

Doc nr	Revision	Date	Description	Author	Approved
PART02062	01-00	26-5-2021	Initial release	NE	LL

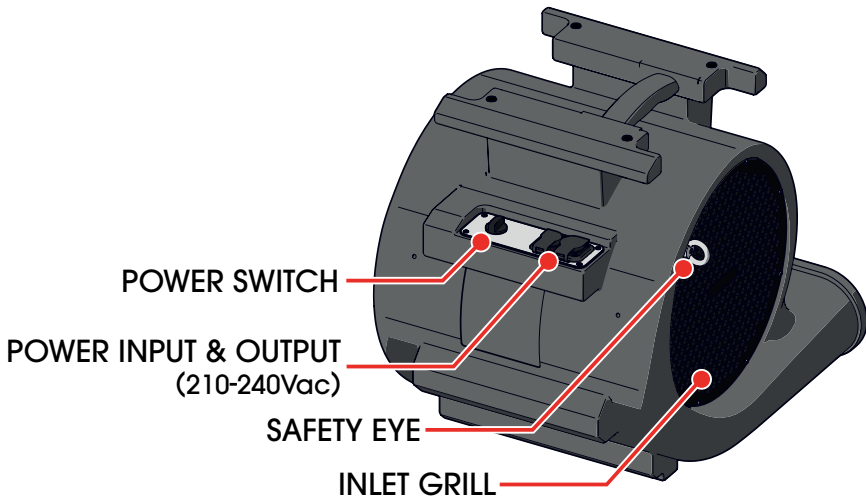
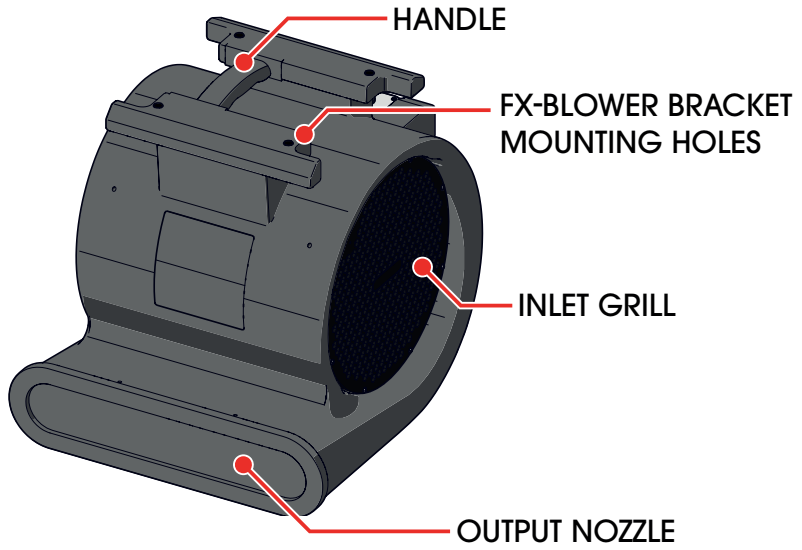
---

# 1 MEET THE MAGICFX® FX-BLOWER!

The MAGICFX® FX-BLOWER is a special effect machine that, is designed to create a powerful wind effect. The MAGICFX® FX-BLOWER can for example, be used to extend snow, foam, confetti, smoke, and haze effects. With this powerful electric blower, effects can be boosted up to 15 meters!

The MAGICFX® FX-BLOWER is intended for use in moving air in non-hazardous, non-flammable, non-explosive environments. The MAGICFX® FX-BLOWER is not intended for use in extremely dusty environments. Moving or circulating gas, substances, sprays, fumes, or a mixture thereof is not permitted.

## 1.1 MAIN PARTS

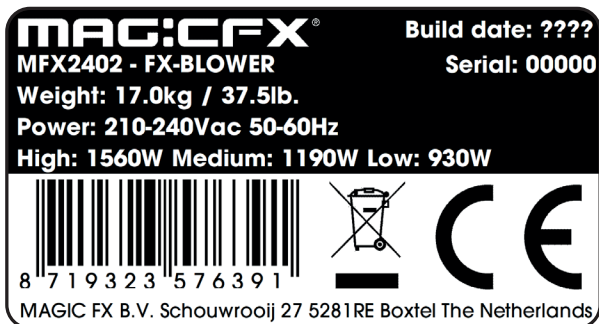


## 1.2 TECHNICAL DATA

<b>Product</b>	Product Name	MAGICCFX® FX-BLOWER	
	Product Code	MFX2402	
	Product Type	AIR FX	
<b>Main Dimensions</b>	Length	502 mm	19.8 in
	Width	457 mm	18.0 in
	Height	470 mm ( 500 mm = 45° )	18.5 in
<b>Weight</b>	Weight	17 kg	37.5 lb
<b>Environment</b>	Minimum Temperature	-20 °C	-4 °F
	Maximum Temperature	45 °C	113 °F
	Humidity (Relative)	20 % to 90 % (non condensing)	
<b>Electrical</b>	Voltage Input	210 - 240 Vac	
	Voltage Frequency	50 - 60 Hz	
	Power Consumption	1560 W	
	Power Connector	Neutrik® powerCON TRUE1 in/out	
<b>Usage</b>	Control options	3-position speed control	

Technical data

## 1.3 PRODUCT IDENTIFICATION



Type plate



## 1.4 ACCESSORIES

Code	Product
MFx0313	SCHUKO TO NEUTRIK® POWERCON TRUE1 - CABLE 1.5 m
MFx2403	MAGICFX® FX-BLOWER BRACKET
SPR00119	SAFETY STEEL 60 cm - 25 kg
MFx3104	DOUGHTY QUICK TRIGGER CLAMP (100kg)
MFx3106	DOUGHTY HALF COUPLER CLAMP (100kg)

Accessories

Please contact MAGIC FX for additional possibilities.

## 1.5 INPUT & OUTPUT

With the MAGICFX® FX-BLOWER BRACKET (MFx2403) the product can be hung in different angles underneath a TRUSS®.

The output distance depends on the speed position

Speed control	Start-up Power Peak	Nominal Power	Max. output distance	
Low	930 W	800 W	9 m	29.5 ft
Medium	1190 W	850 W	12 m	39.4 ft
High	1560 W	930 W	15 m	49.3 ft

### NOTICE

Wind and other weather circumstances will influence the output distance. The given values are estimated values.

### NOTICE

The estimated power consumption values may deviate due the Starting current.

## 2 BLOW SAFELY!

The machine has been designed and constructed in such a manner that it can be used safely. This applies to the use, the circumstances, and the regulations as described in this documentation. Reading this documentation and following the instructions are therefore necessary for everyone who is authorised to work with the machine.

The machine must be used in surroundings that:

- Have a stable temperature of between -20 and 50 °C.
- Have a relative humidity degree between 20 % and 90 % (non condensing).
- Are free of dust, corrosive gases and high concentrations of organic vapours.
- Are not situated in the vicinity of a source of vibration.

### 2.1 GENERAL SAFETY RULES

- Only authorized persons may carry out work with the MAGICFX® FX-BLOWER.
- Do not use the MAGICFX® FX-BLOWER if there are people or animals in the direct output.
- Do not use the MAGICFX® FX-BLOWER if alterations have been made other than by or on behalf of MAGICFX®.
- Make sure that children, unauthorized people and animals do not obtain access to the MAGICFX® FX-BLOWER.
- Make sure there are no free-standing objects or objects that can be damaged by the machine within the output distance.
- Do not connect more units to a single electrical circuit than the installed fuse is able to handle. (Calculate the summed load with the electrical data from Chapter 1)
- Do not connect the MAGICFX® FX-BLOWER to a dimmer (pack).
- Do not remove any safeguards, safety caps, and safety symbols.
- All required safety devices must be in good condition and function properly.
- Ensure sufficient lighting of the surroundings.
- Keep the workplace clean.

### 2.2 TRANSPORT

- Clean the device, make sure there is no confetti or other objects left inside the device.

## 2.3 INDOOR & OUTDOOR USE

The MAGICFX® FX-BLOWER is designed for indoor and outdoor use.

### **⚠ WARNING**

The machine can not be used in rain or other wet conditions with any fluids.

## 2.4 RIGGING

Please follow the European and national guidelines for safe rigging and trussing.

## 2.5 NOISE LEVEL

The measured maximum noise level of the product is 76 dB(A) at 1 m distance away. This level of noise is only reached during the short instances that the output is active. Please follow the European and national guidelines regarding hearing protection.

## 2.6 SAFETY SYMBOLS

Symbol	Meaning
	Read the manual carefully before use!
	To reduce the risk of electric shock, do not remove cover. No user-serviceable parts inside. Refer servicing to qualified service personnel.  Only connect to a socket with an earth leakage circuit breaker.
	Do not expose this appliance to rain or moisture.



Safety symbols

## 2.7 PRECAUTIONS FOR OPERATION

### ⚠ WARNING

Using a damaged or an improper installed machine can lead to death, serious injury or property damage. Always inspect the machine thoroughly before operation.

### ⚠ WARNING

Unauthorized operation of the machine can lead to death, serious injury or property damage. Never leave the machine unattended when the machine is ready for use.

### ⚠ WARNING

Do not use the MAGICFX® FX-BLOWER if alterations have been made other than by or on behalf of MAGICFX®.

### ⚠ WARNING

Missing or obscured safety symbols on the machine can lead to death, serious injury or property damage. Make sure all safety symbols are correctly in place and visible, see Section 2.6.

### ⚠ WARNING

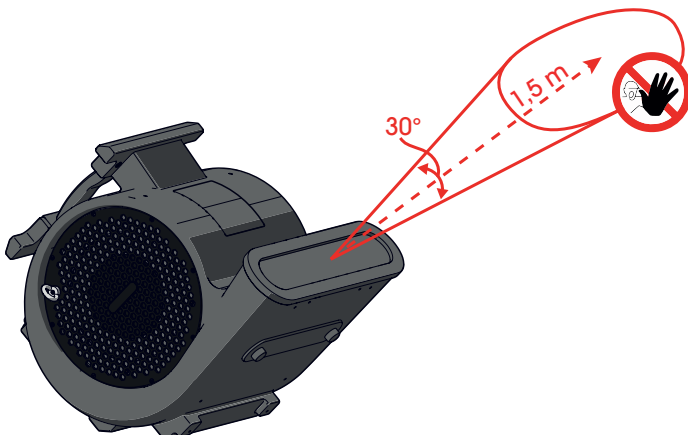
Make sure there are no objects near the input grill that can block the air to be sucked in.

### ⚠ WARNING

Make sure there are no objects near the output that can be damaged or overthrown by the MAGICFX® FX-BLOWER.

### ⚠ WARNING

Always keep the output zone as shown in the image below clear of all people, animals and objects. Not doing so results in death or serious injury.



## 3 LET'S BLOW SOME AIR!

### 3.1 INSTALL THE MACHINE

---

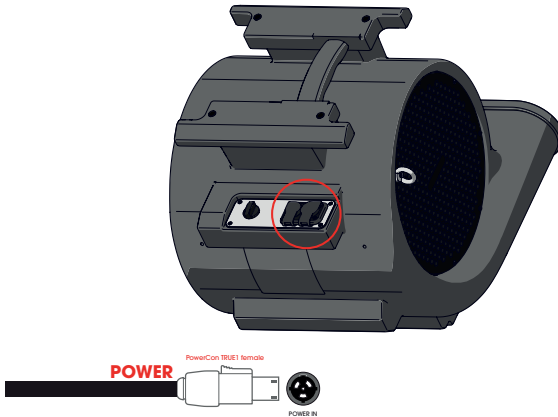
- 1 Place the MAGICFX® FX-BLOWER on a firm surface. Make sure it is placed in a stable manner or built-in well.

---

- 2 Adjust the angle towards the desired direction.

---

- 3 Connect a powerCON TRUE1 power cable to the power input. Connect the other end to a socket with an earth leakage circuit breaker.



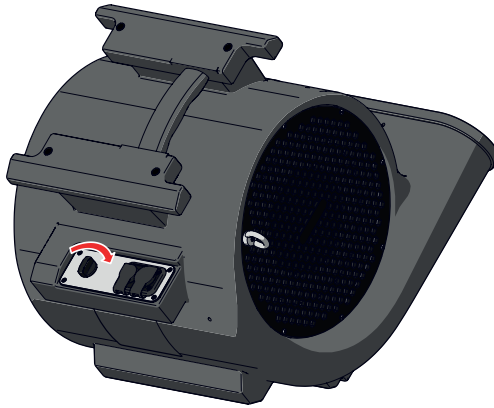
---

#### **⚠ CAUTION**

Do not connect more units to a single electrical circuit that the installed fuse is able to handle. (Calculate the summed load with the electrical data from Chapter 1)

---

- 
- 4 Set the position switch in the desired wind speed position. Low, Medium or High.



---

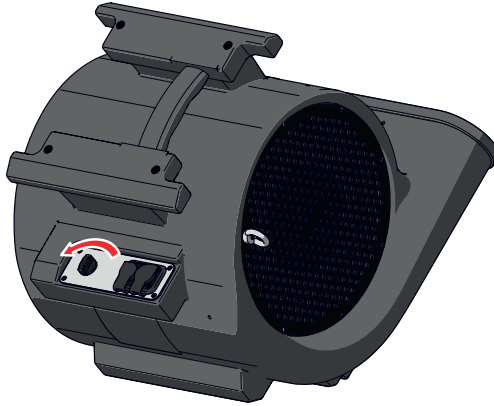
### 3.2 TIME TO BLOW!

- 1 Make sure that the direct output is free from persons, animals, and objects.
  - 2 When it's time to blow, switch the power on.
  - 3 Enjoy the view!
  - 4 To deactivate, switch off the power.
-

### 3.3 CLEAN UP

---

- 1 Set the speed control button in the OFF position (0)



- 
- 2 Disconnect the cables, place the TRUE1 protection cap.
- 

- 3 Remove any remaining confetti from the outside of the machine.
-

## **4 TRUSS BRACKET ACCESSORY**

### **4.1 INSTALLATION OF THE FX-BLOWER BRACKET**

---

- 1** Please read the user and installation manual of the MAGICFX® FX-BLOWER BRACKET.  
Available at <https://www.magicfx.eu/downloads/>
-



## 5 MAINTENANCE

To achieve the maximum service life of the MAGICFX® FX-BLOWER you must regularly clean the MAGICFX® FX-BLOWER and test if it is functioning correctly.

Contact MAGIC FX if the MAGICFX® FX-BLOWER is not functioning correctly.

---

**⚠ DANGER**

Do not replace parts yourself; always consult MAGIC FX.

---

## 6 TROUBLESHOOTING

Always contact MAGIC FX if any malfunctions or errors occur that cannot be solved with the instructions as described in this manual.

## 7 CORRECT DISPOSAL



This symbol on the product and / or accompanying documents means that used electrical and electronic products should not be mixed with general household waste. For proper treatment, recovery and recycling, please take this product to designated collection points where it will be accepted free of charge.

Alternatively, in some countries you may be able to return your products to your local retailer upon purchase of an equivalent new product.

Disposing of this product correctly will help save valuable resources and prevent any potential negative effects on human health and the environment, which could otherwise arise from inappropriate waste handling.

Please contact your local authority for further details of your nearest designated collection point.

Penalties may be applicable for incorrect disposal of this waste, in accordance with your national legislation.

## 8 EC DECLARATION OF CONFORMITY

According to Annex III A Machinery Directive 2006/42/EC

MAGIC FX B.V. declares as manufacturer and composer of the technical construction file that the product with the following specifications:

Name machine : FX-BLOWER®  
Type : MFX2402  
Voltage : 210-240Vac 50/60Hz  
Serial number : on product  
Year of construction : on product

Is in conformity with the minimal safety regulations as stated in the following directive(s):

- LVD (2014/35/EU) Low Voltage Directive
- EMC (2014/30/EC) ElectroMagnetic Compatibility
- RoHS (2011/65/EU) Restriction of the use of certain Hazardous Substances
- WEEE (2012/19/EU) Waste Electrical & Electronic Equipment

The following harmonized standards were applied:

- NEN-EN-ISO 12100:2010 Safety of machinery - General principles for design - Risk assessment and risk reduction.
- NEN-EN-IEC 60335-2-80:2003 + A1:2004 + A2:2009 Household and similar electrical appliances - Safety - Part 2-80: Particular requirements for fans.
- NEN-EN-IEC 60335-1:2012/A11:2014 Household and similar electrical appliances - Safety Part 1: General requirements.
- NEN-EN-IEC 62233:2008 Measurement methods for electromagnetic fields of household appliances and similar apparatus with regard to human exposure.

- Original declaration of conformity  
 Translation of the original declaration of conformity

Name manufacturer : MAGIC FX B.V.  
Address : Schouwrooij 27, 5281 RE BOXTEL  
Country : The Netherlands

CEO : B. Veroude  
Date : 4-3-2021

Signature :





**MAG:CFX<sup>®</sup>**

[WWW.MAGICFX.EU](http://WWW.MAGICFX.EU)

